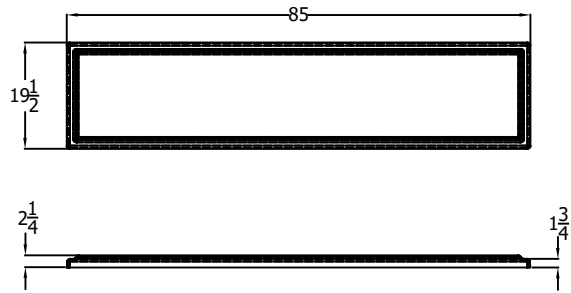
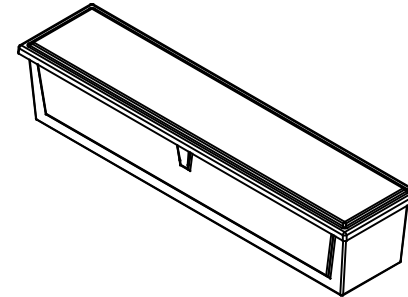


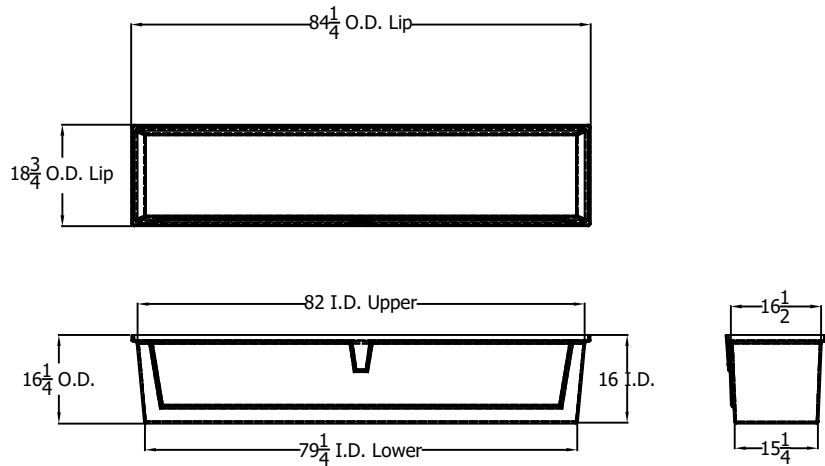
Lid Upper



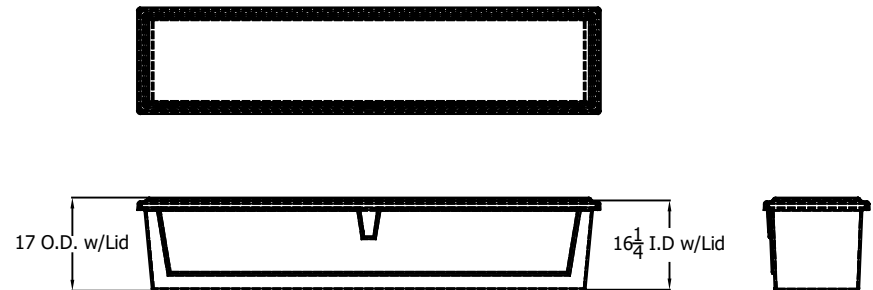
718 Dock Box



Box Bottom



Lid with Box



UNLESS OTHERWISE SPECIFIED:

DIMENSIONS ARE IN INCHES
 TOLERANCES:
 FRACTIONAL $\pm \frac{1}{64}$ "
 ANGULAR: MACH $\pm 1^\circ$ BEND $\pm 1^\circ$
 TWO PLACE DECIMAL $\pm .06$
 THREE PLACE DECIMAL $\pm .03$

PROPRIETARY AND CONFIDENTIAL
 THE INFORMATION CONTAINED IN THIS
 DRAWING IS THE SOLE PROPERTY OF DOCK
 BOXES UNLIMITED, INC. ANY REPRODUCTION
 IN PART OR AS A WHOLE WITHOUT THE
 WRITTEN PERMISSION OF DOCK BOXES
 UNLIMITED, INC. IS PROHIBITED.

DESCRIPTION:

718 Dockbox

PART NO.

718 Dockbox

REV

-

DRAWN BY

JJW

09/20/19

SCALE 1:1

SHEET 1 OF 1