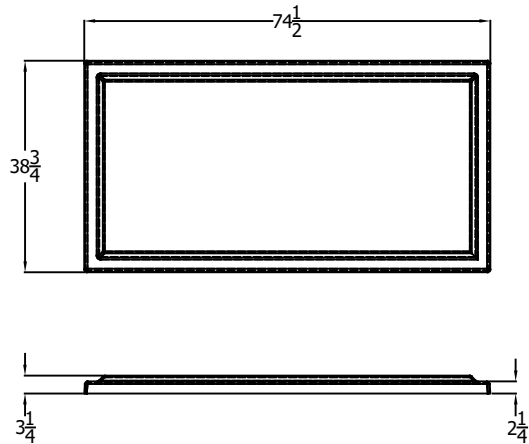
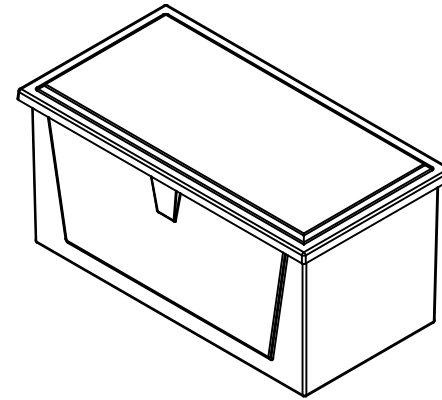


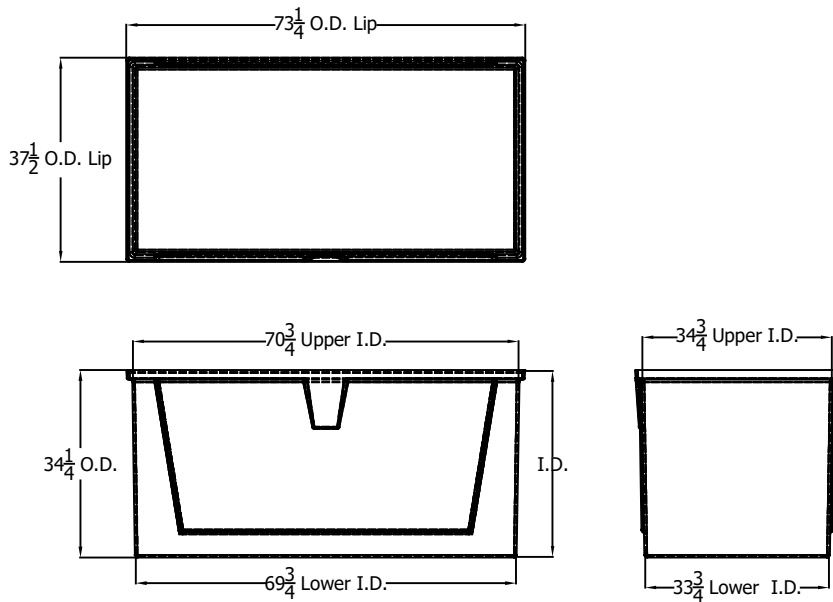
### Lid Upper



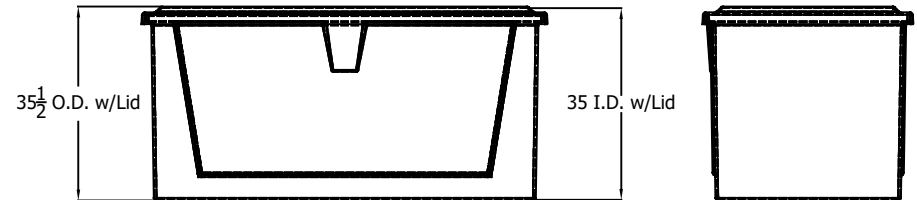
### 636 Dock Box



### Box Bottom



### Lid with Box



UNLIMITED, INC.  
[www.dockboxes.com](http://www.dockboxes.com)  
 800.559.4269

UNLESS OTHERWISE SPECIFIED:  
 DIMENSIONS ARE IN INCHES  
 TOLERANCES:  
 FRACTIONAL  $\pm \frac{1}{16}$ "  
 ANGULAR: MACH  $\pm 1^\circ$  BEND  $\pm 1^\circ$   
 TWO PLACE DECIMAL  $\pm .06$   
 THREE PLACE DECIMAL  $\pm .03$

PROPRIETARY AND CONFIDENTIAL  
 THE INFORMATION CONTAINED IN THIS  
 DRAWING IS THE SOLE PROPERTY OF DOCK  
 BOXES UNLIMITED, INC. ANY REPRODUCTION  
 IN PART OR AS A WHOLE WITHOUT THE  
 WRITTEN PERMISSION OF DOCK BOXES  
 UNLIMITED, INC. IS PROHIBITED.

#### DESCRIPTION:

636 Dockbox

#### PART NO.

636 Dockbox

#### REV

-

#### DRAWN BY

JJW

09/20/19

SCALE 1:1

SHEET 1 OF 1