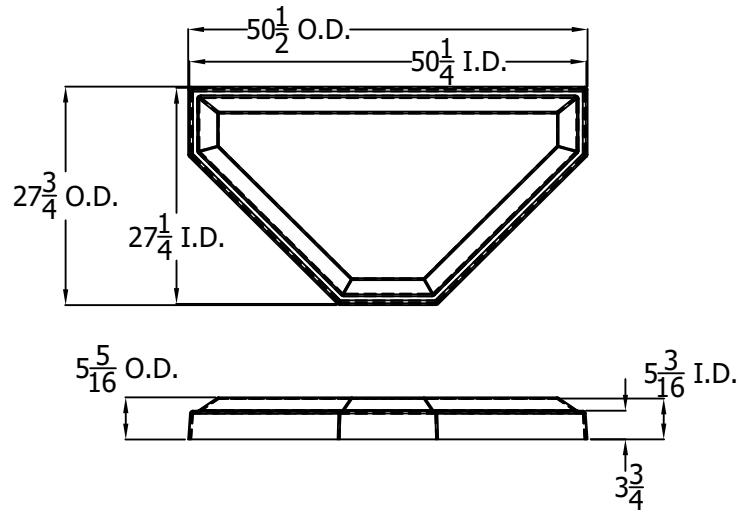
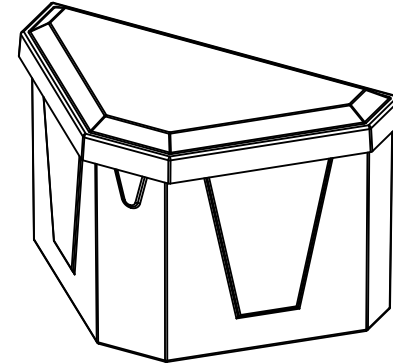


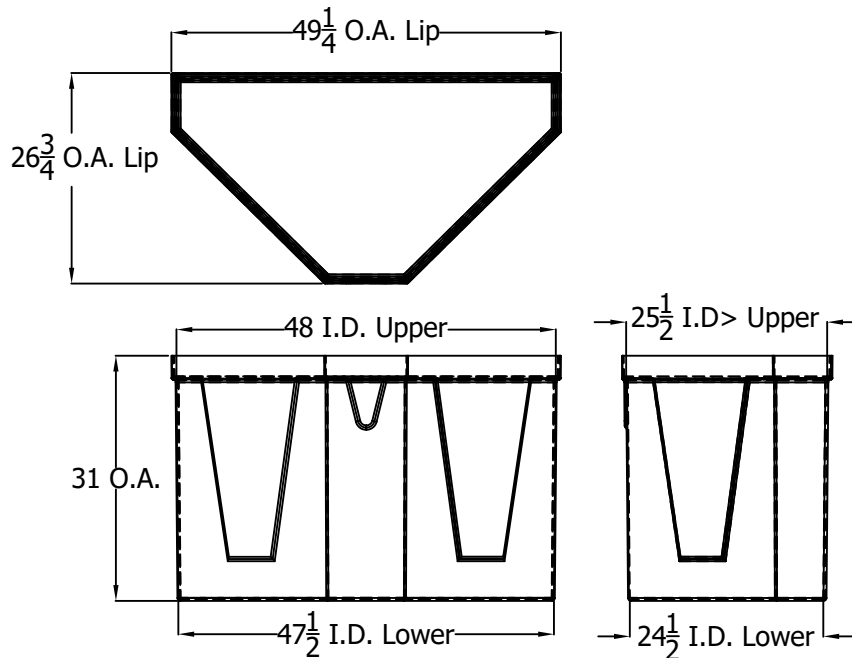
Lid Upper



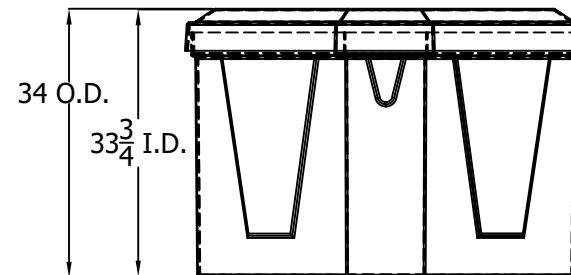
432 Triangle Dock Box



Box Bottom



Lid with Box



UNLESS OTHERWISE SPECIFIED:

DIMENSIONS ARE IN INCHES
 TOLERANCES:
 FRACTIONAL $\pm \frac{1}{16}$ "
 ANGULAR: MACH $\pm 1^\circ$ BEND $\pm 1^\circ$
 TWO PLACE DECIMAL $\pm .06$
 THREE PLACE DECIMAL $\pm .03$

PROPRIETARY AND CONFIDENTIAL

THE INFORMATION CONTAINED IN THIS DRAWING IS THE SOLE PROPERTY OF DOCK BOXES UNLIMITED, INC. ANY REPRODUCTION IN PART OR AS A WHOLE WITHOUT THE WRITTEN PERMISSION OF DOCK BOXES UNLIMITED, INC IS PROHIBITED.

DESCRIPTION:

432 Dockbox

PART NO.

432

DRAWN BY

SCALE 1:1

JJW

SHEET 1 OF 1

REV

-

06/10/19