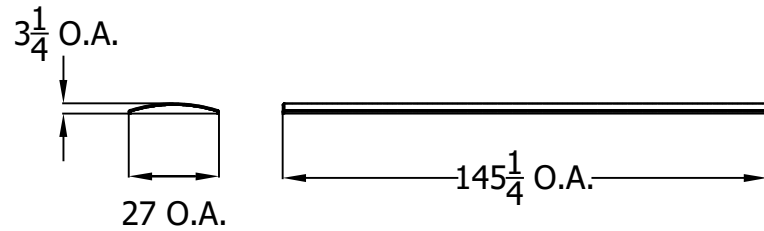
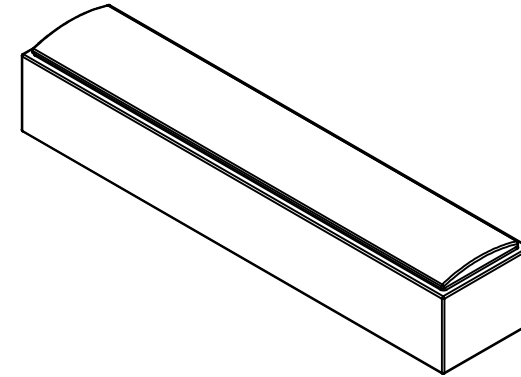


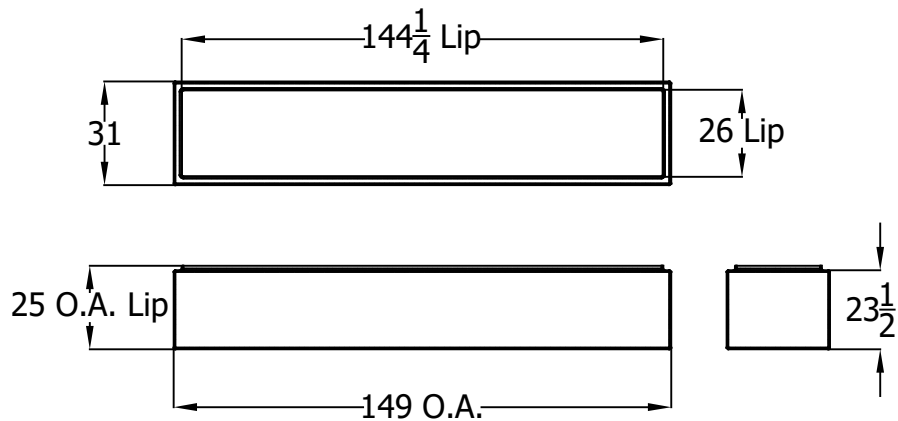
Lid Upper



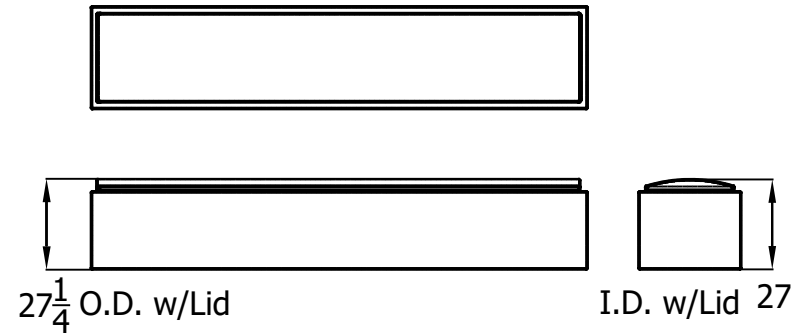
125 Dock Box



Box Bottom



Lid with Box



UNLESS OTHERWISE SPECIFIED:

DIMENSIONS ARE IN INCHES
TOLERANCES:
FRACTIONAL $\pm \frac{1}{64}$ "
ANGULAR: MACH $\pm 1^\circ$ BEND $\pm 1^\circ$
TWO PLACE DECIMAL $\pm .06$
THREE PLACE DECIMAL $\pm .03$

PROPRIETARY AND CONFIDENTIAL
THE INFORMATION CONTAINED IN THIS DRAWING IS THE SOLE PROPERTY OF DOCK BOXES UNLIMITED, INC. ANY REPRODUCTION IN PART OR AS A WHOLE WITHOUT THE WRITTEN PERMISSION OF DOCK BOXES UNLIMITED, INC IS PROHIBITED.

DESCRIPTION:

125 Dockbox

PART NO.

125

REV

-

DRAWN BY

JJW

08/26/19

SCALE 1:1

SHEET 1 OF 1