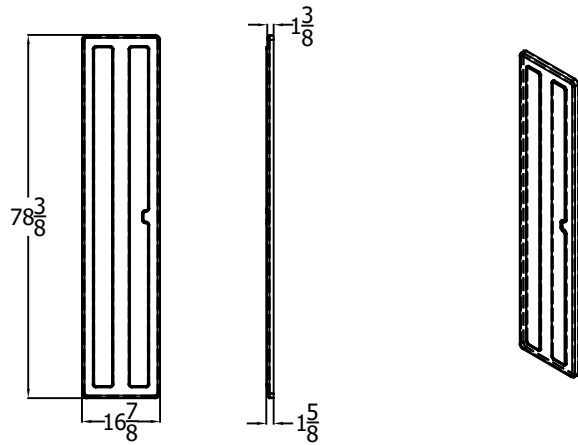
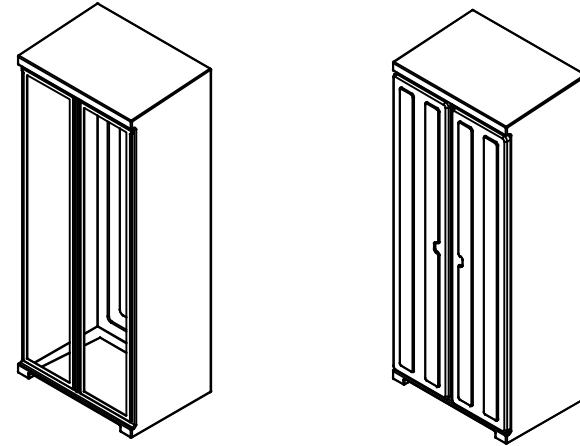


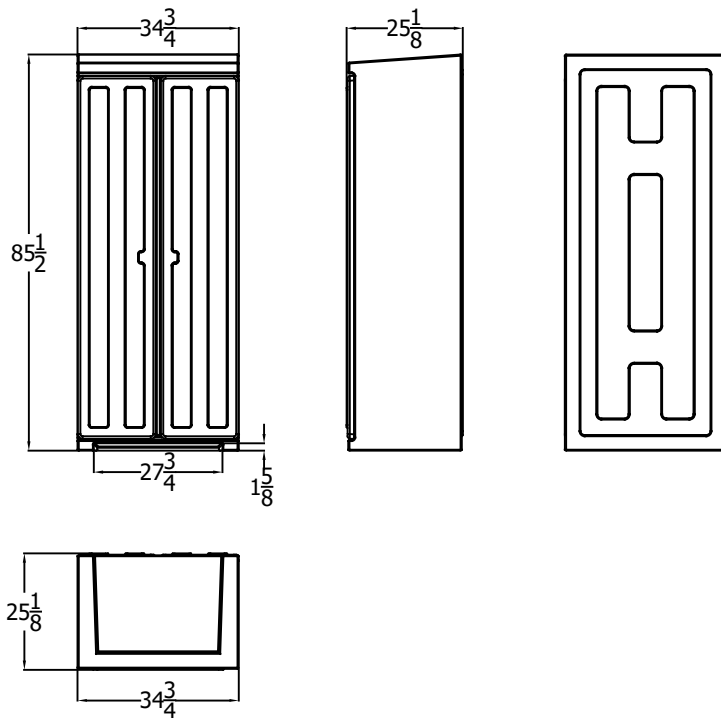
Door (x2)



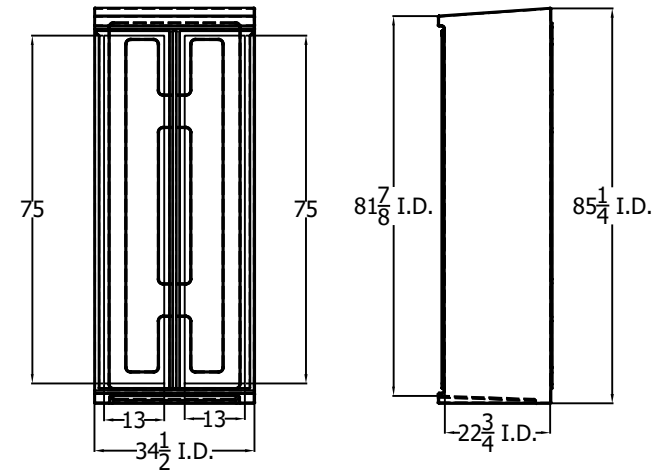
87D Dock Box



87D Box w/ Doors



87D Box Shown w/o doors



UNLESS OTHERWISE SPECIFIED:

DIMENSIONS ARE IN INCHES
TOLERANCES:
FRACTIONAL $\pm \frac{1}{64}$ "
ANGULAR: MACH $\pm 1^\circ$ BEND $\pm 1^\circ$
TWO PLACE DECIMAL $\pm .06$
THREE PLACE DECIMAL $\pm .03$

PROPRIETARY AND CONFIDENTIAL
THE INFORMATION CONTAINED IN THIS
DRAWING IS THE SOLE PROPERTY OF DOCK
BOXES UNLIMITED, INC. ANY REPRODUCTION
IN PART OR AS A WHOLE WITHOUT THE
WRITTEN PERMISSION OF DOCK BOXES
UNLIMITED, INC. IS PROHIBITED.

DESCRIPTION:

87D Dockbox

PART NO.

87D Dockbox

DRAWN BY

JJW

SCALE 1:1

REV

-

09/23/19

SHEET 1 OF 1

