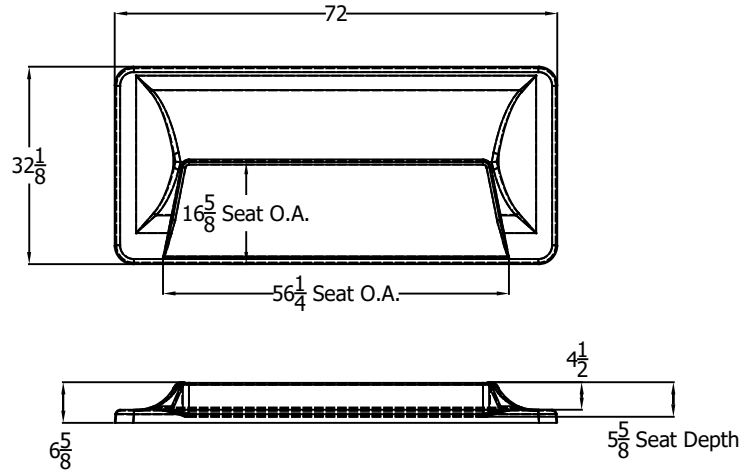
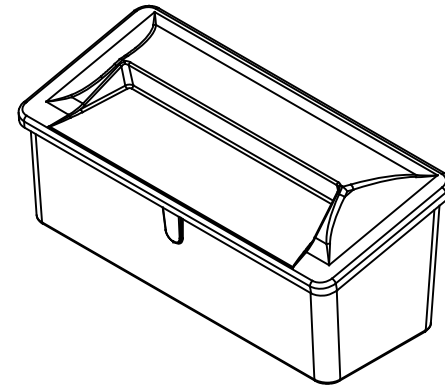


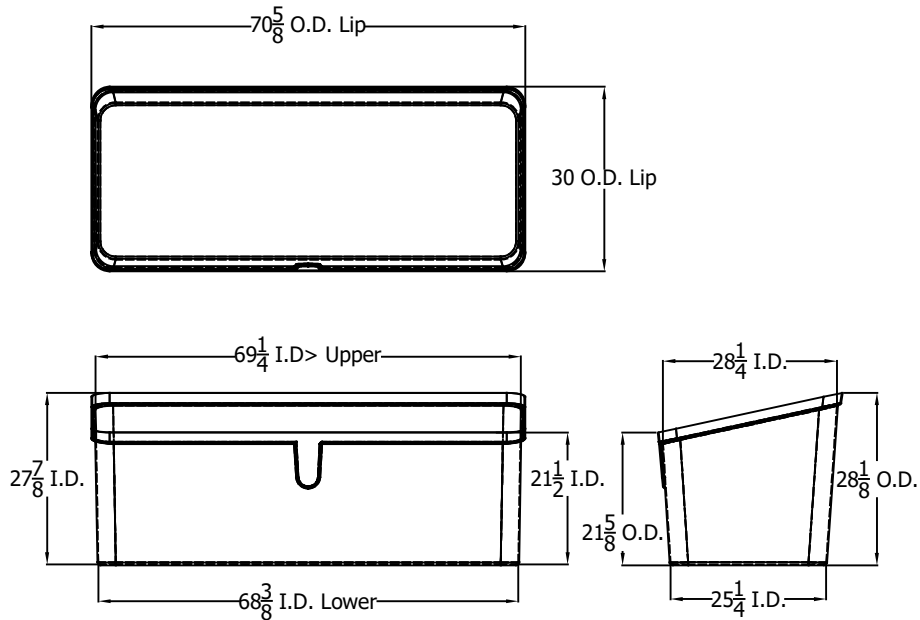
### Lid Upper



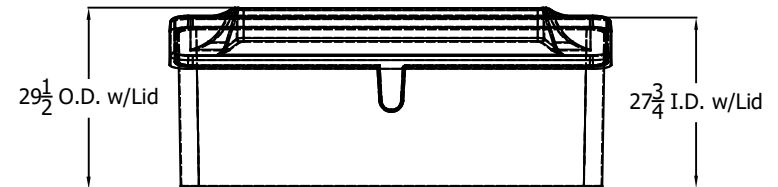
### 600 Seat Dock Box



### Box Bottom



### Lid with Box



UNLESS OTHERWISE SPECIFIED:

DIMENSIONS ARE IN INCHES  
TOLERANCES:  
FRACTIONAL  $\pm \frac{1}{16}$ "  
ANGULAR: MACH  $\pm 1^\circ$  BEND  $\pm 1^\circ$   
TWO PLACE DECIMAL  $\pm .06$   
THREE PLACE DECIMAL  $\pm .03$

PROPRIETARY AND CONFIDENTIAL  
THE INFORMATION CONTAINED IN THIS  
DRAWING IS THE SOLE PROPERTY OF DOCK  
BOXES UNLIMITED, INC. ANY REPRODUCTION  
IN PART OR AS A WHOLE WITHOUT THE  
WRITTEN PERMISSION OF DOCK BOXES  
UNLIMITED, INC. IS PROHIBITED.

DESCRIPTION:

600 Seat Dockbox

PART NO.

600 Seat Dockbox

REV

-

DRAWN BY

JJW

07/25/19

SCALE 1:1

SHEET 1 OF 1