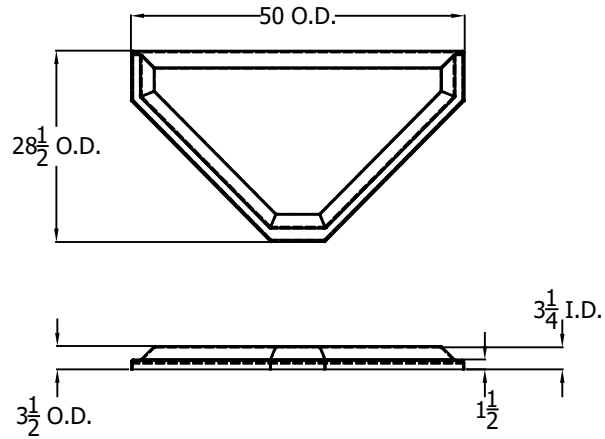
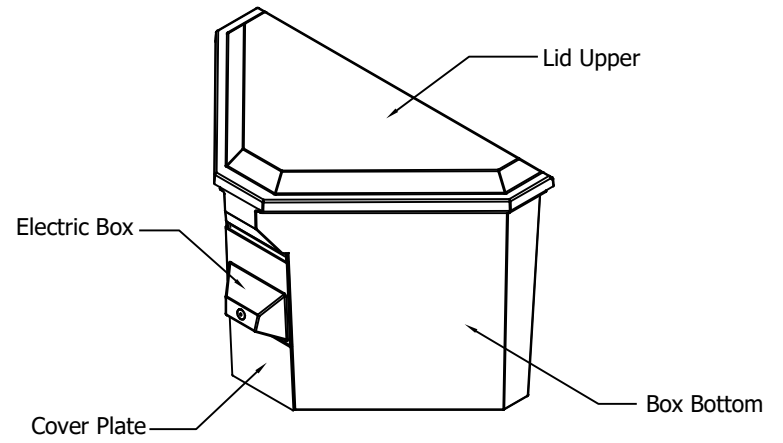


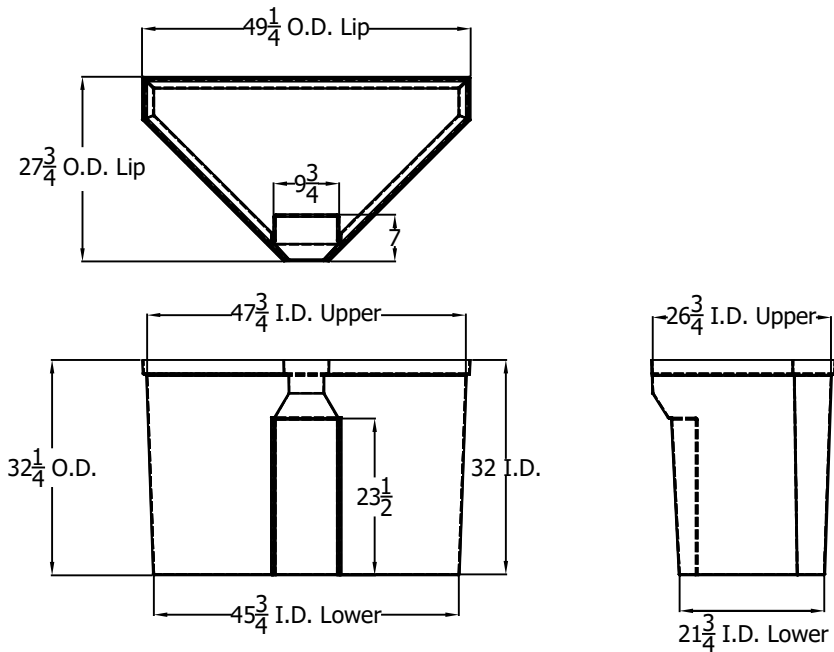
Lid Upper



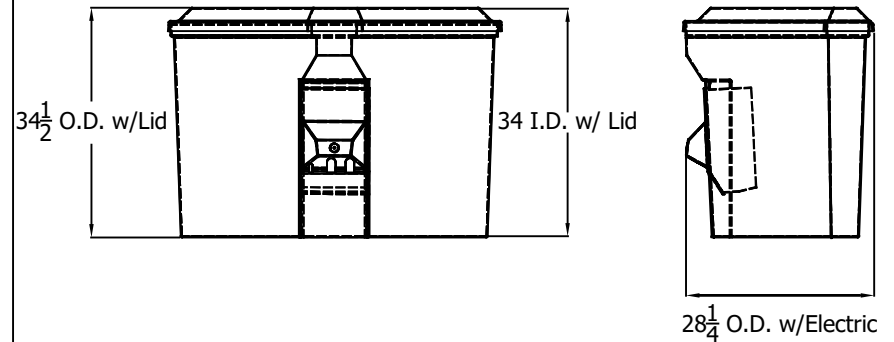
433 E Dock Box



Box Bottom



Lid with Box



UNLESS OTHERWISE SPECIFIED:

DIMENSIONS ARE IN INCHES
TOLERANCES:
FRACTIONAL ± 1/16"
ANGULAR: MACH ± 1° BEND ± 1°
TWO PLACE DECIMAL ± .06
THREE PLACE DECIMAL ± .03

PROPRIETARY AND CONFIDENTIAL
THE INFORMATION CONTAINED IN THIS
DRAWING IS THE SOLE PROPERTY OF
DOCK BOXES UNLIMITED, INC. ANY
REPRODUCTION IN PART OR AS A WHOLE
WITHOUT THE WRITTEN PERMISSION OF
DOCK BOXES UNLIMITED IS PROHIBITED.

DESCRIPTION:

433 E Dockbox

PART NO.

433 E Dockbox

DRAWN BY

JJW

SCALE 1:1

REV

—

01/16/19

SHEET 1 OF 1