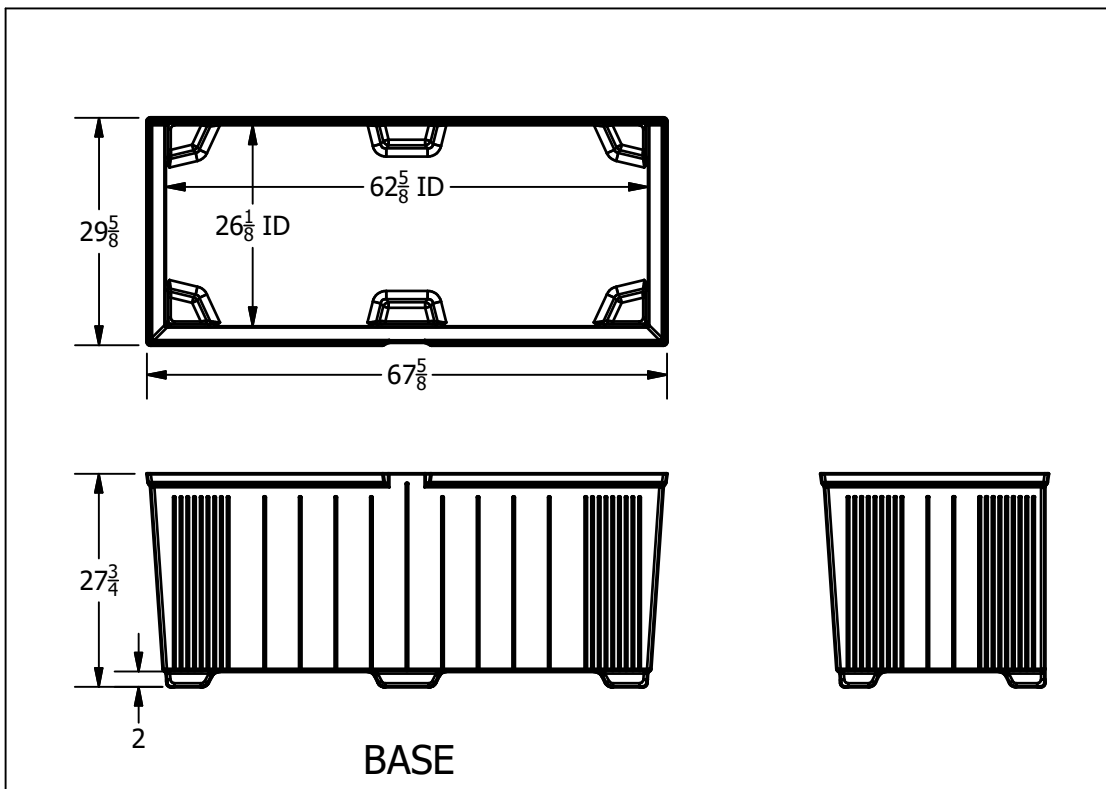
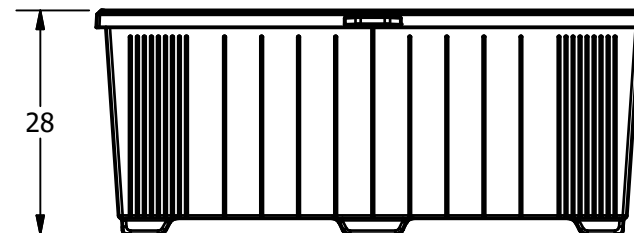
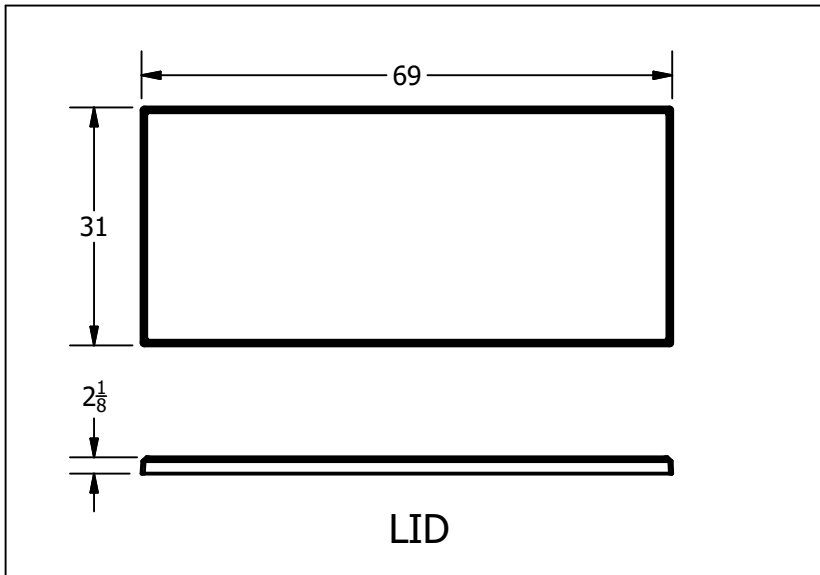


528 Dock Box



UNLESS OTHERWISE SPECIFIED: DIMENSIONS ARE IN INCHES TOLERANCES: FRACTIONAL $\pm 1/16"$ ANGULAR: MACH. $\pm 1^\circ$ BEND $\pm 1^\circ$ TWO PLACE DECIMAL: $\pm .06$ THREE PLACE DECIMAL: $\pm .03$	DESCRIPTION 528 DOCK BOX		
	PART NO. 528 Dock Box		REV A
PROPRIETARY AND CONFIDENTIAL: THE INFORMATION CONTAINED IN THIS DRAWING IS THE SOLE PROPERTY OF DOCK BOXES UNLIMITED, INC. ANY REPRODUCTION IN PART OR AS A WHOLE WITHOUT WRITTEN PERMISSION OF PATRICK INDUSTRIES IS PROHIBITED.	DRAWN BY	DC	10/19/2022
	NOT TO SCALE		1 OF 1