

# DOCK CARTS

## MODEL 200 DOCK CART



## MODEL 200 | DOCK CART

We've equipped customers around the nation with one of the most basic tools every marina should have: the dock cart. Choose our dock cart to load and transport items safely and efficiently. The Model 200 allows for even distribution of weight between the dock cart and the user for quick movement and easy maneuvering. We provide all parts needed to extend the life of the cart when maintenance and repairs are required.

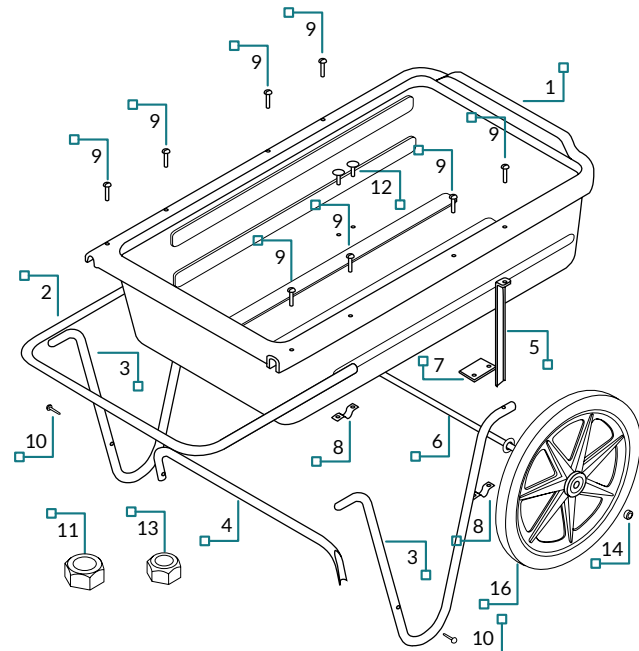
### STANDARD FEATURES:

- High carbon  $\frac{5}{8}$ " steel axle with thread ends
- Single-part polyethylene tub
- Black powder-coated steel
- Ribbed sides for strength
- 50-gallon liquid capacity
- 300-pound weight capacity
- 20-inch rim and tire combination with sealed bearings
- Seven cubic feet tub volume

### SPECIFICATIONS

Part #	Description	Required	
1	200	Cart Body (Black)	1
2	CRT-HDL	Dock Cart Handle	1
3	CRT-SL	Dock Cart Support Legs	2
4	CRT-CRBR	Dock Cart Cross Brace	1
5	CRT-SDBR	Dock Cart Side Brace	2
6	CRT-AXL	Dock Cart Axle Rod 31"	1
7	CRT-AFP	Dock Cart Axle Flat Plate	2
8	CRT-UBRK	Dock Cart U Bracket	2
9*	CRT-2001	Dock Cart Truss Head Screw, $\frac{1}{4}$ " x $1\frac{1}{2}$ "	8
10*	CRT-2002	Dock Cart Truss Head Screw, $\frac{1}{4}$ " x $\frac{1}{2}$ "	2
11*	CRT-2003	Dock Cart Nyloc Nut, $\frac{5}{16}$ " - 18 Thread	10
12*	CRT-2004	Dock Cart Elevator Bolt, $\frac{5}{16}$ " x 1"	4
13*	CRT-2005	Dock Cart Nyloc Nut, $\frac{1}{4}$ " - 20 Thread	4
14*	CRT-2006	Dock Cart Nyloc Axle Nut, $\frac{5}{8}$ " - 11 Thread	2
15*	CRT-2007	Dock Cart Axle Washer	2
16	CRT-WHL	Dock Cart Poly wheel	2

\* Included in Fastener Pack



### SPECIFICATIONS

#### Tub Dimensions

32"W x D: 58"D x 24"H  
Weight: 43 lbs