

1/2" NYLON LOCK NUT

1/2" x 2" ZINC
CARRIAGE BOLT

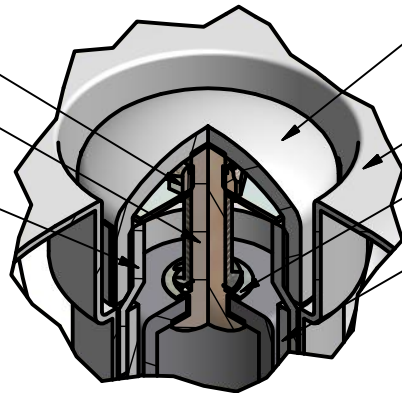
2" PVC MALE ADAPTER

2" SCH 40 PVC CAP

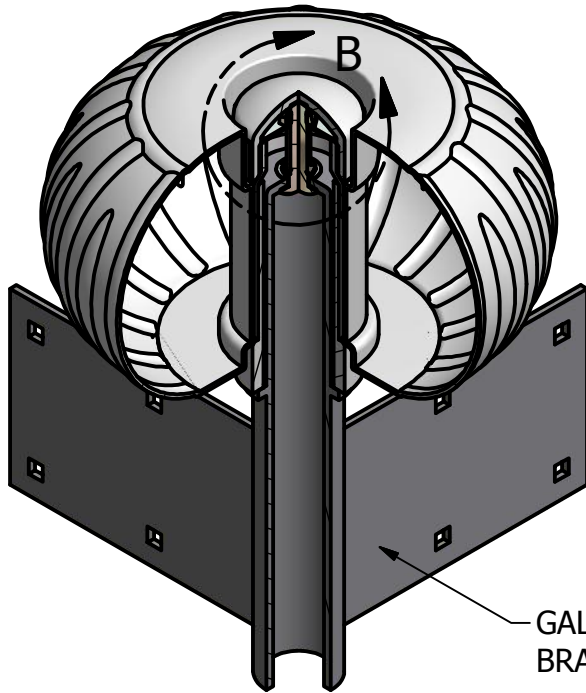
DOCK WHEEL

1/2" PUSH-NUT RETAINER

2" SCH 40 PVC PIPE
5-1/4" INSERT

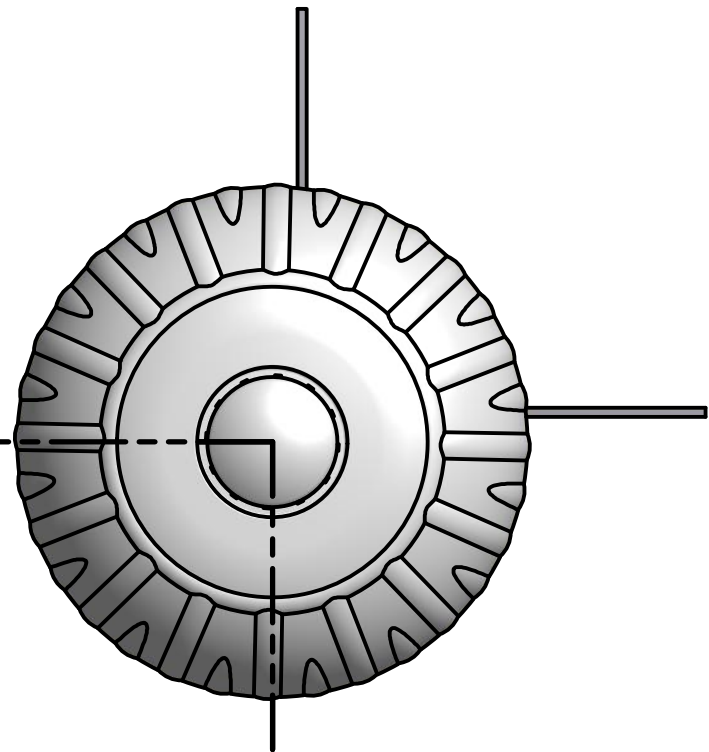


DETAIL B
SCALE 1/2




SECTION A-A
SCALE 3" = 1'-0"

GALVANIZED STEEL
BRACKET. 4 DIFFERENT STYLES



A

 UNLIMITED, INC. www.dockboxes.com 800.559.4269		TITLE:	SCALE:
		DOCK WHEEL DETAILS	3" = 1'-0"
		DATE:	DRAWN BY:
			APRVD BY: