



Firehouse



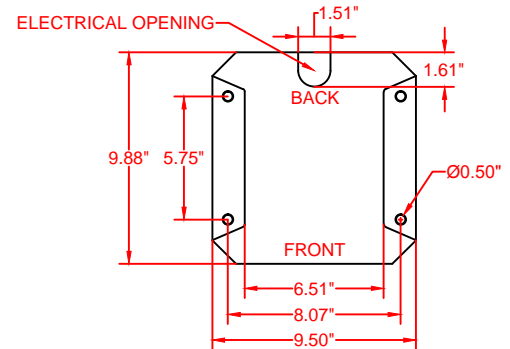
## Dimensions

Height: 44.00" (1117.60 mm)  
Width: 9.500" (241.30 mm)  
Depth: 9.875" (250.83 mm)

Approximate  
Weight: 20-26 lbs. (9.1-11.8 kg)

**UL FILE # S24715**

Firehouse Base Diagram



## General Specifications for Firehouse Alarm & Emergency Signaling Device

### All Power Pedestals Must Meet the Following:

#### Part I. General:

##### 1.1 General Requirements:

- Shall be tested and certified to be in compliance with with UL2017 entitled "alarm and emergency signaling equipment."
- If a laboratory other than U.L. is used that laboratory must certify, in writing, that the alarm and emergency signaling equipment has been tested and meets all of the requirements of ANSI/UL 2017.
- Shall be certified to meet all sections of NFPA 303 DTD "2011 Marinas and Boatyards."
- Shall have the capability to house either a 10 lb. or 20 lb. A, B, and C fire extinguisher.
- Shall have downward, indirect illumination indicating the device is functioning properly.

#### Part II. Products:

##### 2.1 Acceptable Manufacturers - Type SM (Self Monitoring) Emergency Signaling Device:

- Dock Boxes Unlimited, Inc.  
Irving, TX 75038  
Toll Free: 1-800-559-4269

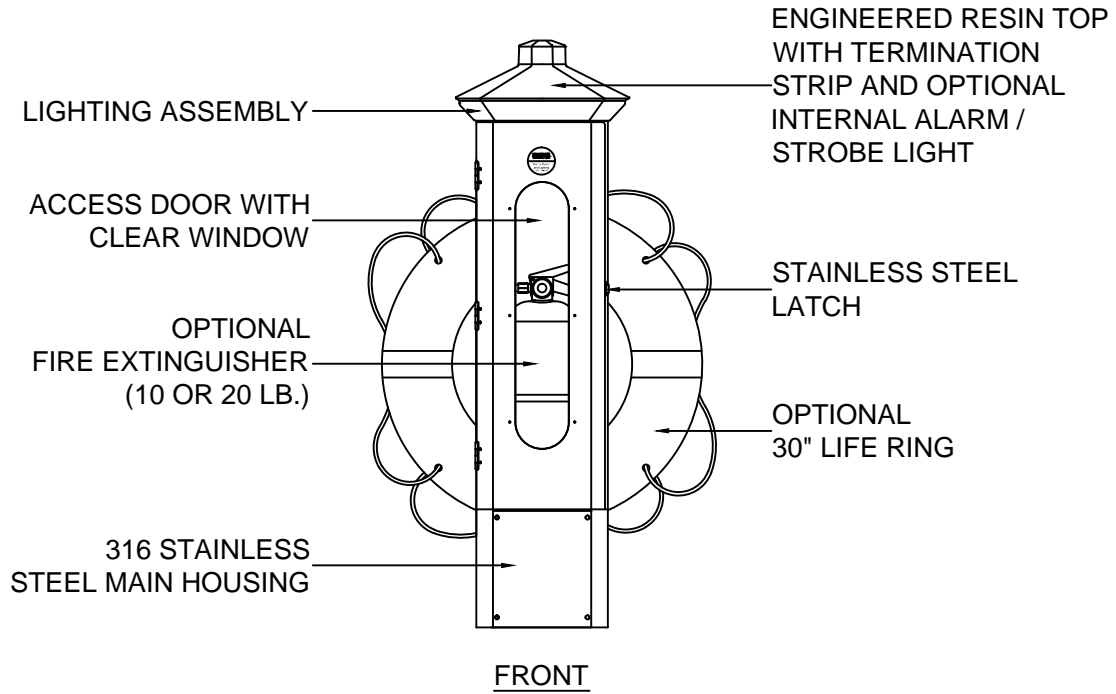
##### 2.2 Type SM (Self Monitoring) Emergency Signaling Device - General Specification

- Main Housing:
  - The housing shall be constructed of 20 gauge, 316L low carbon stainless steel and shall be coated with UV-resistant polyester resin over a powder coating. It shall be UL listed as a type 3R weatherproof enclosure.
  - The housing shall have the capacity to house a 10 lb. or 20 lb. A, B, and C fire extinguisher.

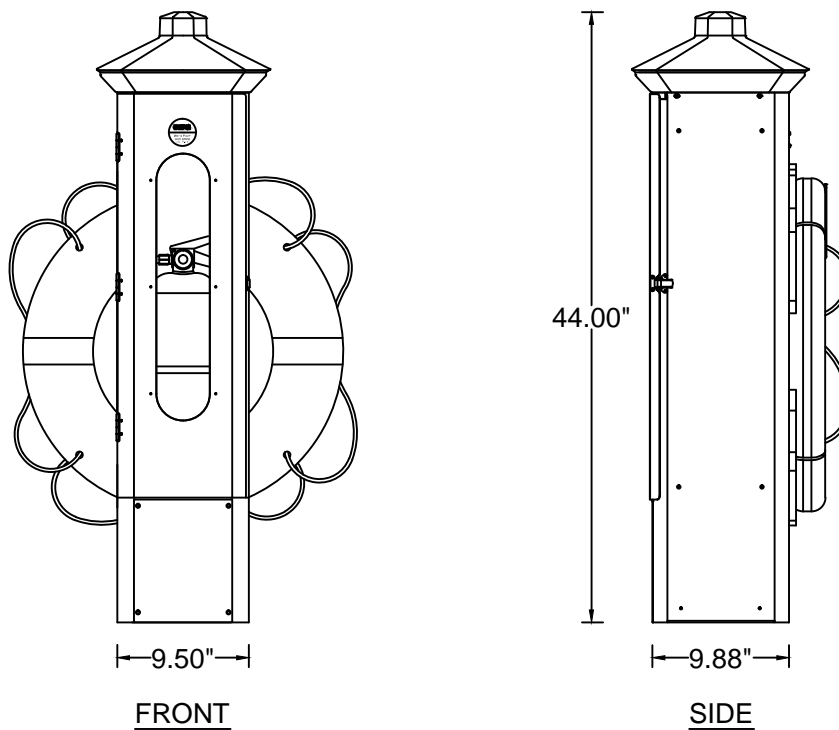
- B. Access Door:
  - a. The access door shall be hinged with a stainless steel latch.
  - b. The door shall have a clear access window made of engineered resin.
  - c. Access to the fire extinguisher shall not require breakage of any part of the unit.
  
- C. Lighting Assembly / Housing:
  - a. The lighting top housing shall be constructed of 1/8" thick injection molded heavy resin material and shall be coated with a water based acrylic polymer. It shall be UL listed as a type 3R weatherproof enclosure.
  - b. STANDARD - Each pedestal shall be equipped with a non-metered light. The lighting assembly shall include one LED compact fluorescent light, that is protected by a 0.5 amp, in-line fuse.
  - c. OPTION - Each pedestal shall be equipped with a non-metered LED light, that is protected by a 0.5 amp, in-line fuse. 14-watt light
  
- D. Wiring:
  - a. The alarm and emergency signaling device shall be completely pre-wired at the factory to the load side of the terminal strip.
  - b. All load copper wiring shall be of high stranding and tin plated to resist corrosion.
  - c. The maximum size of the line wiring shall be #6 AWG.
  
- E. Alarm System - Visual High-Intensity Strobe :
  - a. The audible alarm system shall have an output of 68 dBA, and a strobe light shall simultaneously activate to indicate the removal of the life ring and / or fire extinguisher.
  
- F. Grounding:
  - a. All exposed metallic parts must have an integral ground that is a part of the equipment grounding system.
  
- G. Fire Extinguisher (Optional):
  - a. Each cabinet shall be equipped with a 10 lb. or 20 lb. ABC fire extinguisher.
  
- H. Life Ring (Optional):
  - a. Each cabinet shall be equipped with a 30" life ring and provisions to sound an alarm system when the life ring is removed.

(END OF SECTION)

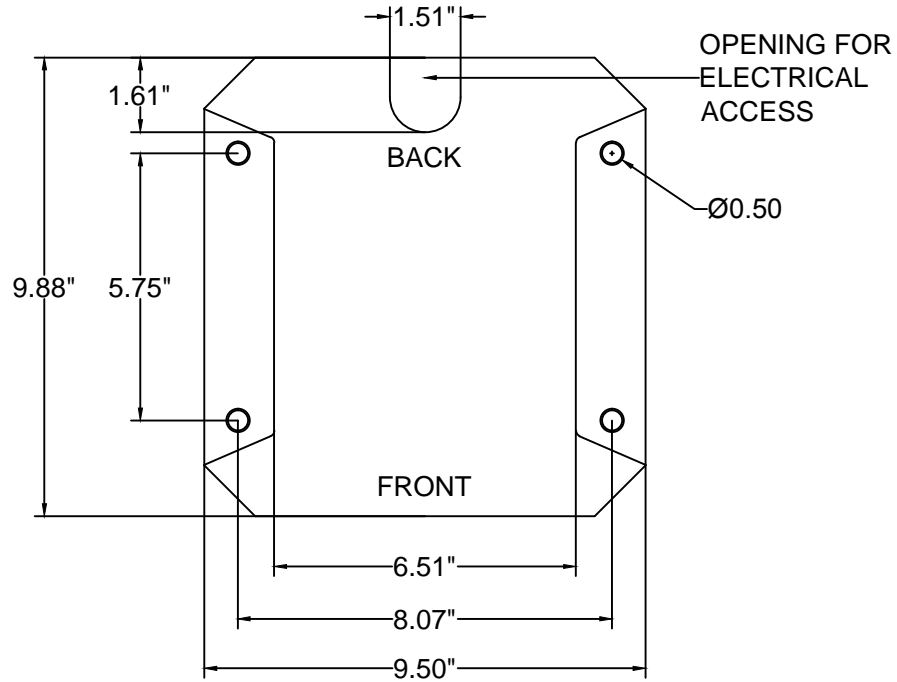
**Product Features**



**Dimensions**



**Base Dimensions**



**Wiring Diagram - Terminal Block**

Wire Colors Per NEC

Line 1	L1	Black
Neutral	N	White
Ground	G	Green

