

Lighthouse Power Pedestal



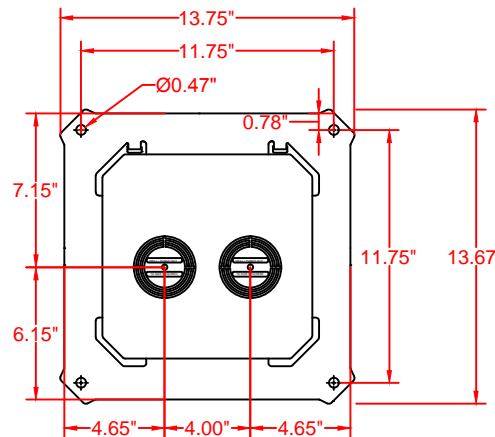
**Dimensions**

Height: 44.00" (1117.60 mm)  
 Width: 13.67" (347.22 mm)  
 Depth: 13.75" (349.25 mm)

Approximate  
 Weight: 30 lbs. (13.6 kg)

**UL FILE # E133781**

Lighthouse Base Diagram



## General Specifications for Lighthouse Power Pedestal

### All Power Pedestals Must Meet the Following:

#### Part I. General:

##### 1.1 General Requirements:

- A. Shall be tested and certified to be in compliance with ANSI/UL 231 entitled "power outlets."
- B. If a laboratory other than U.L. is used that laboratory must certify, in writing, that the power outlet has been tested and meets all of the requirements of ANSI/UL 231, **including 746C polymeric materials, and that the unit will pass the 94VO-5V flame test.**
- C. Shall be certified to meet all sections of NFPA 303 DTD "2006 Marinas and Boatyards."
- D. Shall meet 406.8 (B)(2)(a) of the national electric code NFPA 70, i.e. "A receptacle installed in a wet location shall be installed in a weatherproof enclosure, the integrity of which is not affected when the attachment plug cap is inserted."

#### Part II. Products:

##### 2.1 Power Pedestal / Distribution Equipment:

- A. Dock Boxes Unlimited, Inc.  
[www.Dockboxes.com](http://www.Dockboxes.com)  
 Toll Free: 1-800-559-4269

##### 2.2 Power Pedestal - General Specification

- A. Main Housing:
  - a. The housing shall be constructed of 1/4" thick injection molded heavy resin material and shall be coated with a UV-resistant water based acrylic polyester. It shall be UL listed as a type 3R weatherproof enclosure.
  - b. The base shall be hinged to the upper unit to provide ease of wiring and plumbing and shall be of heavy resin construction with mounting feet that are 3/4" in thickness.



B. Lighting Assembly / Housing:

- a. The lighting top housing shall be constructed of 1/8" thick injection molded heavy resin material and shall be coated with a UV-resistant water based acrylic polymer. It shall be UL listed as a type 3R weatherproof enclosure.
- b. STANDARD - Each pedestal shall be equipped with a non-metered light. The lighting assembly shall include one LED light, that is controlled by an electromechanical photocell and protected by a 20 amp, single pole breaker.
- c. OPTION - Each pedestal shall be equipped with a non-metered CFL light, that is controlled by an electromechanical photocell and protected by a 20 amp, single pole breaker.

C. Wiring:

- a. The power pedestal shall be completely pre-wired at the factory to the load side of the compression lug assembly.
- b. All load copper wiring shall be of high stranding and tin plated to resist corrosion.
- c. The maximum size of the line wiring shall be 350 MCM direct feed or #4/0 loop feed.

D. Loop Feed Bus Bar System:

- a. STANDARD - 250 Amp Bus Bar - The bus system shall be of stud compression terminal type using a 3/8" - silicon-bronze stud with a silicon-bronze Belleville type washer. The 3/8" - silicon-bronze hex-nut shall be torqued to 150 inch-pounds with a maximum amperage rating of 250 amps.
- b. OPTION - Single and double barrel mechanical bus bars - rated for copper or aluminum - are also available in sizes ranging from #8 to 350MCM.

E. Grounding:

- a. All exposed metallic parts must have an integral ground that is a part of the equipment grounding system.

F. Receptacles:

- a. All receptacles shall be mounted behind a lockable weatherproof, hinged door that is under tension to ensure proper closing pressure when the receptacle is or is not in use.
- b. OPTION- Receptacles may remounted behind hinged, self closing polyvinyl gasketed cover.
- c. All receptacles under 60 amps shall be of the corrosion resistant type conforming to NEMA L-5 and/or NEMA L-6 requirements and are rated for marine use.
- d. All receptacles over 60 Amp receptacles shall conform to IEC and CEE standards.
- e. 20 Amp, 110 Volt, straight blade receptacles shall be GFI protected.
- f. 20 Amp, 125 Volt, twist-lock receptacles shall be 2 pole, 3 wire (NEMA L5-20).
- g. 30 Amp, 125 Volt, twist-lock receptacles shall be 2 pole, 3 wire (NEMA L5-30).
- h. 50 Amp, 125 Volt, twist-lock receptacles shall be 2 pole, 3 wire (NEMA SS-1).
- i. 50 Amp, 125/250 Volt, twist-lock receptacles shall be 3 pole, 4 wire (NEMA SS-2).
- j. 100 Amp, 125/250 Volt, pin-and-sleeve receptacles shall be 3 pole, 4 wire.
- k. 100 Amp, 120/208 Volt, pin-and-sleeve receptacles shall be 4 pole, 5 wire.



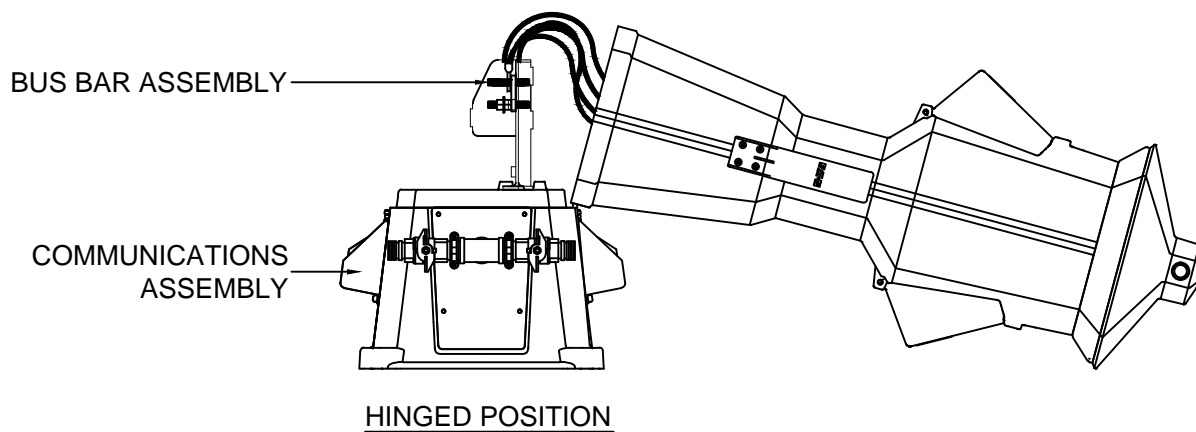
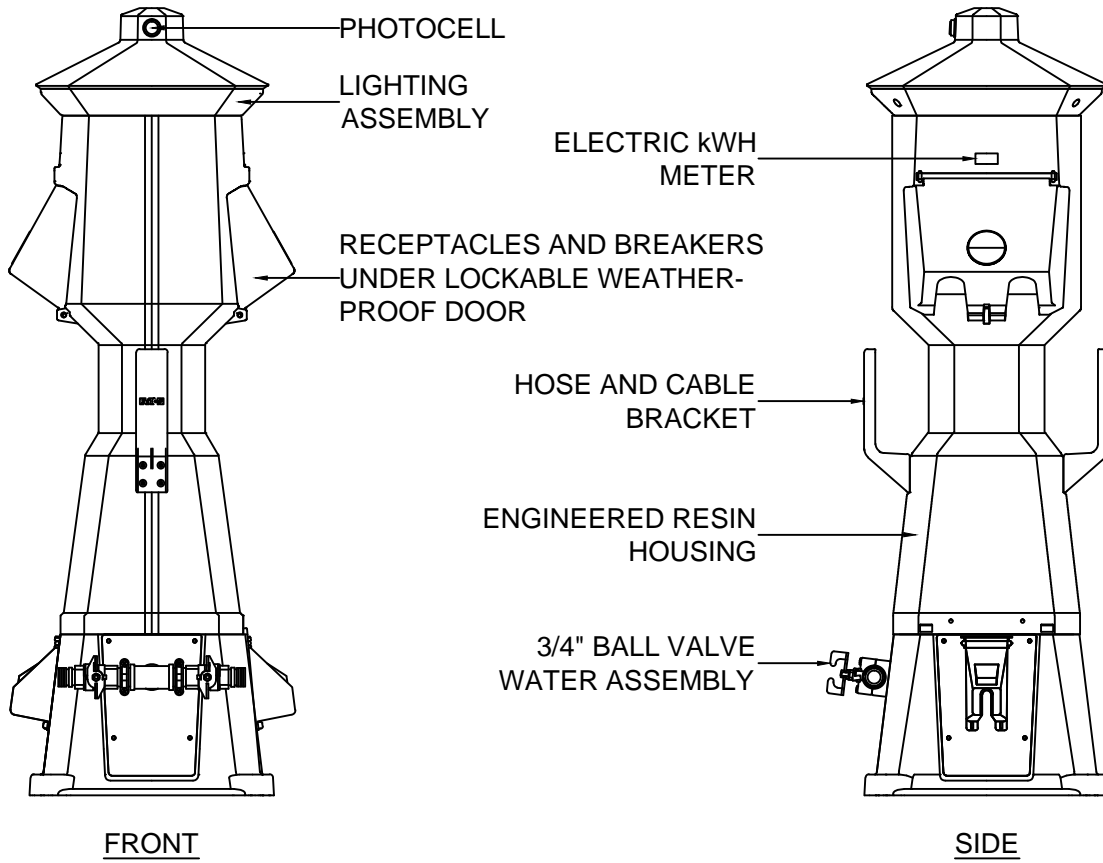
- l. 100 Amp, 480 Volt, pin-and-sleeve receptacles shall be 3 pole, 4 wire.
  - m. 100 Amp, 277/480 Volt, pin-and-sleeve receptacles shall be 4 pole, 5 wire.
- G. Circuit Breakers:
- a. All breakers for receptacles shall be of the thermal magnetic type, 10,000 A.I.C., and shall be UL listed.
  - b. Circuit breakers may be located under lockable, weatherproof door cover.
  - c. Circuit breakers for the 20 Amp, 110 Volt, straight blade receptacles and the 20 Amp, 125 Volt, twist-lock receptacles shall be single pole, 20 Amp.
  - d. Circuit Breakers for the 30 Amp, 125 Volt, twist-lock receptacles shall be single pole, 30 Amp. OPTION-GFCI Breakers 30mA.
  - e. Circuit Breakers for the 50 Amp, 125 Volt, twist-lock receptacles shall be single pole, 50 Amp. OPTION-GFCI Breakers 5mA.
  - f. Circuit breakers for the 50 Amp, 125/250 Volt, twist-lock receptacles shall be two pole, 50 Amp.
  - g. Circuit breakers for the 100 Amp, 125/250 Volt, pin-and-sleeve receptacles shall be two pole, 100 Amp.
  - h. Circuit breakers for the 100 Amp, 120/208 Volt, pin-and-sleeve receptacles shall be three pole, 100 Amp.
  - i. Circuit breakers for the 100 Amp, 480 Volt, pin-and-sleeve receptacles shall be three pole, 100 Amp.
  - j. Circuit breakers for the 100 Amp, 277/480 Volt, pin-and-sleeve receptacles shall be three pole, 100 Amp.
- H. Hose/Cable Bracket:
- a. Each pedestal shall have heavy resin brackets capable of holding a 50' length of 5/8" water hose or 50' of 50 Amp, four-conductor boat S.O. cord.
- I. Metering (Optional):
- a. 120 Amp Meter - The pedestals shall be equipped with fully electronic meters that display the kilowatts used at each slip on a non-resettable digital counter that is protected from the weather. The accuracy of the meters must be certified by the manufacturer to have a 120 ampere rating and no more than a 2% error when tested in accordance with ANSI.-C12.1.(California requires 1%).
  - b. 200 Amp Meter - The pedestals shall be equipped with fully electronic meters that display the kilowatts used at each slip on a non-resettable digital counter that is protected from the weather. The accuracy of the meters must be certified by the manufacturer to have a 200 ampere rating and no more than a 2% error when tested in accordance with ANSI.-C12.1.(California requires 1%).
- J. Communications (Optional):
- a. Each pedestal may be equipped with up to four outlets for each slip. Each outlet shall contain a combination of RJ45 (internet) receptacles, RJ11 (telephone) receptacles, or male coax (cable TV) connectors under an injection-molded heavy resin, weather protective cover.



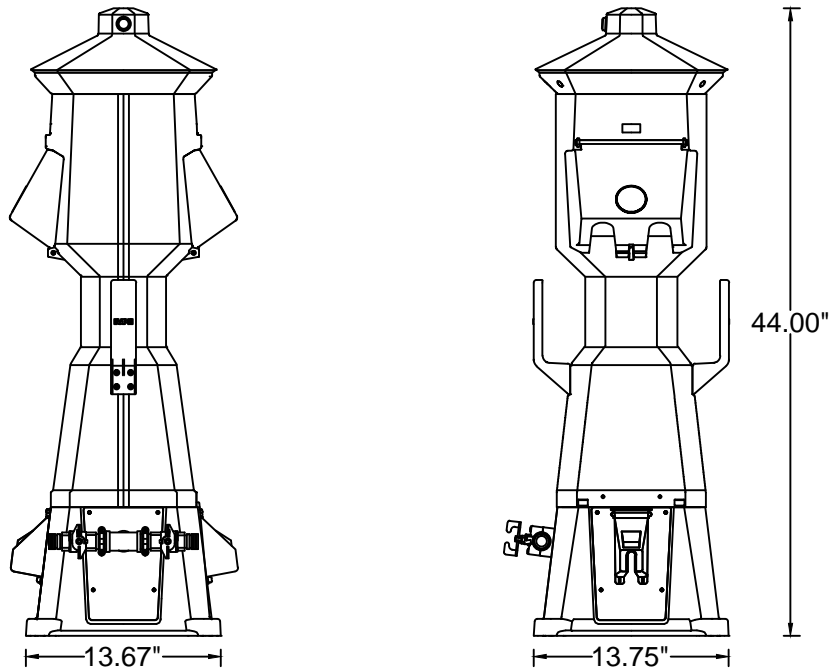
- 
- b. Each communication assembly shall include an internal isolation box for the separation of high and low voltage equipment.
  
  - K. Water:
    - a. The water connection shall be one (1)  $\frac{3}{4}$ " inlet, which divides into two (2)  $\frac{3}{4}$ " hose bibs. The valves shall be  $\frac{1}{4}$  turn ball valves.
  
  - L. Power Pedestals for A.D.A. Slips (Designated as Handicap Accessible) :
    - a. Power pedestals installed on designated handicap accessible slips shall comply with the guidelines of the Americans With Disabilities Act of 1990.

(END OF SECTION / CONTINUE BELOW)

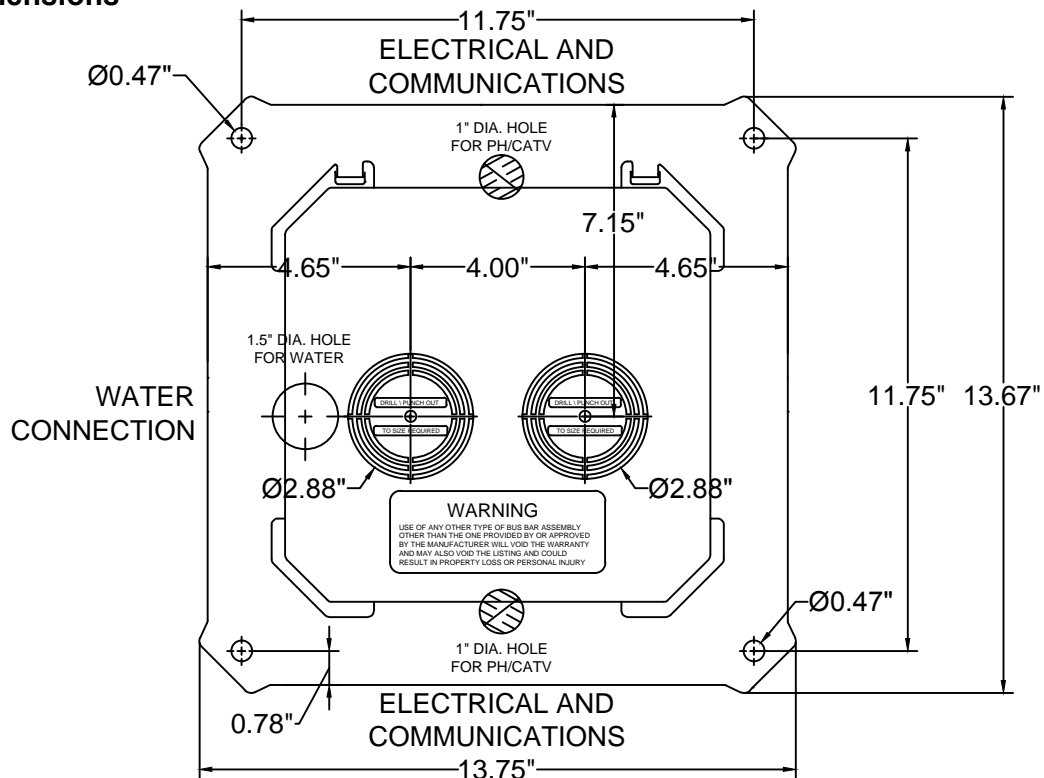
## Product Features



## Dimensions



## Base Dimensions



## Wiring Diagram - Stud Lug Bus Bar

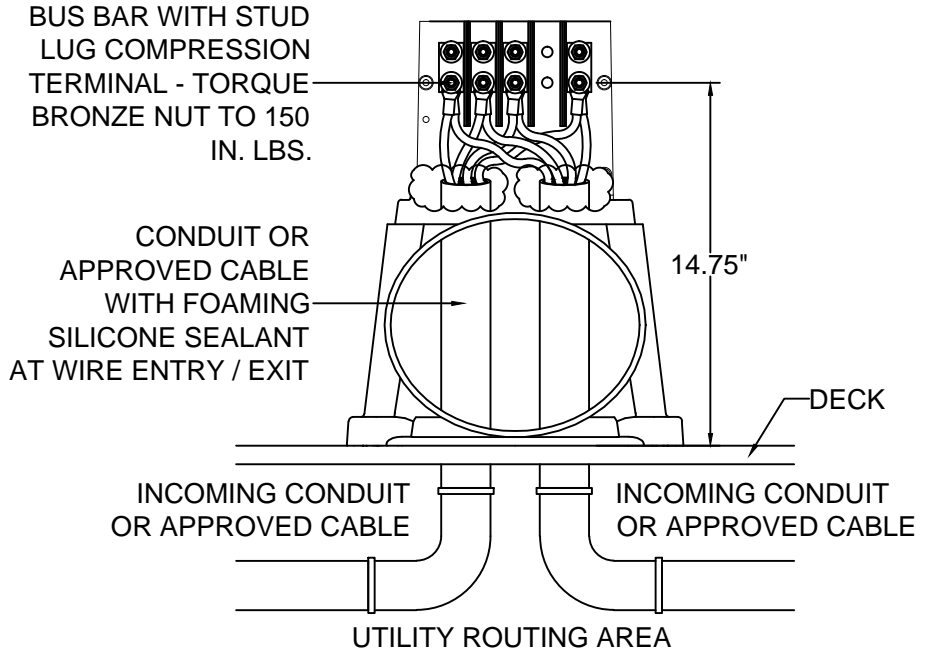
### Wire Colors Per NEC

Line 1	L1	Black
Neutral	N	White
Line 2	L2	Red
Line 3	L3	Blue
Ground	G	Green



### Compression Terminals (Not Included)

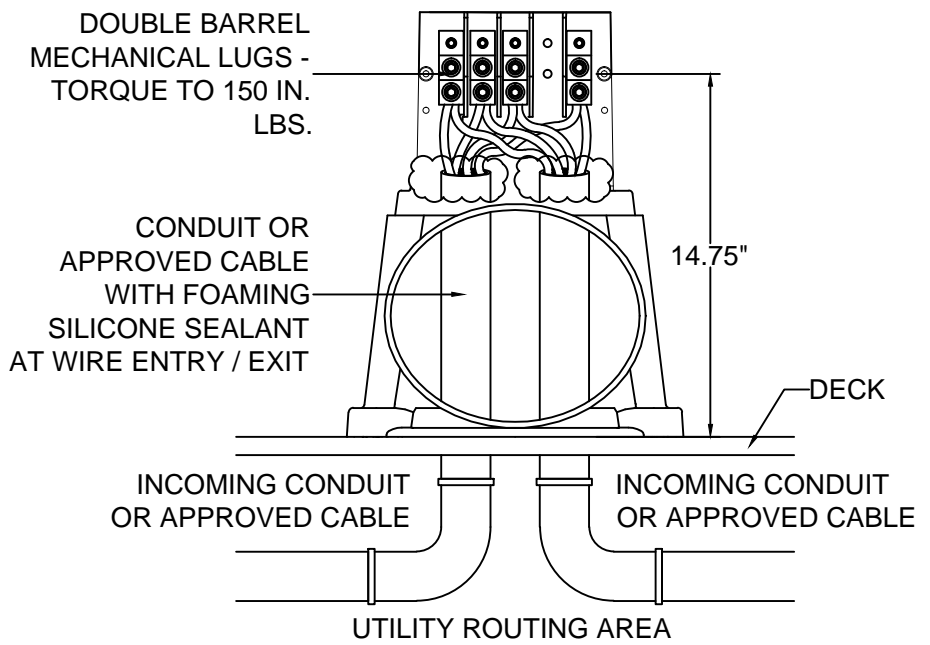
Contractor needs to terminals to line wires and place on provided stud lug connector. Max width of compression lug pad to be X.



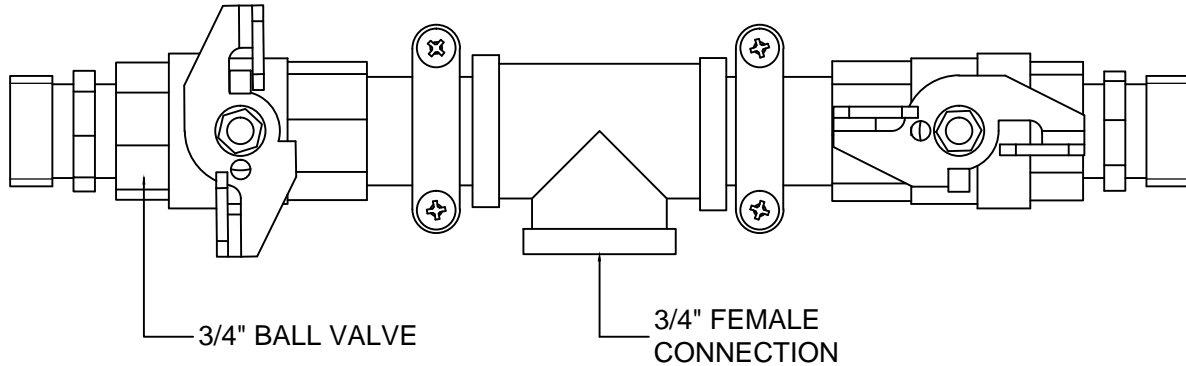
## Wiring Diagram - Aluminum Mechanical Bus Bar

### Wire Colors Per NEC

Line 1	L1	Black
Neutral	N	White
Line 2	L2	Red
Line 3	L3	Blue
Ground	G	Green



## Water Assembly



## Communications

COMMUNICATION ASSEMBLIES INCLUDE ISOLATION BOXES FOR INTERNAL CONNECTIONS

### CONNECTIONS AVAILABLE:

- MARINE TWIST-LOCK TELEPHONE
- RJ-12 CAT3 TELEPHONE JACK (HOUSEHOLD PHONE)
- RJ-45 CAT5 HIGH-SPEED INTERNET JACK
- COAX CABLE TV FCF FEMALE CONNECTION
- OTHER CONNECTIONS AVAILABLE UPON REQUEST

