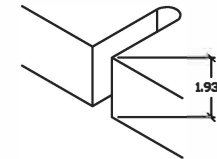
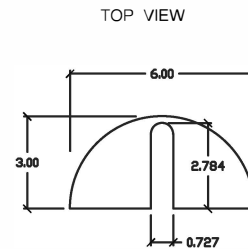
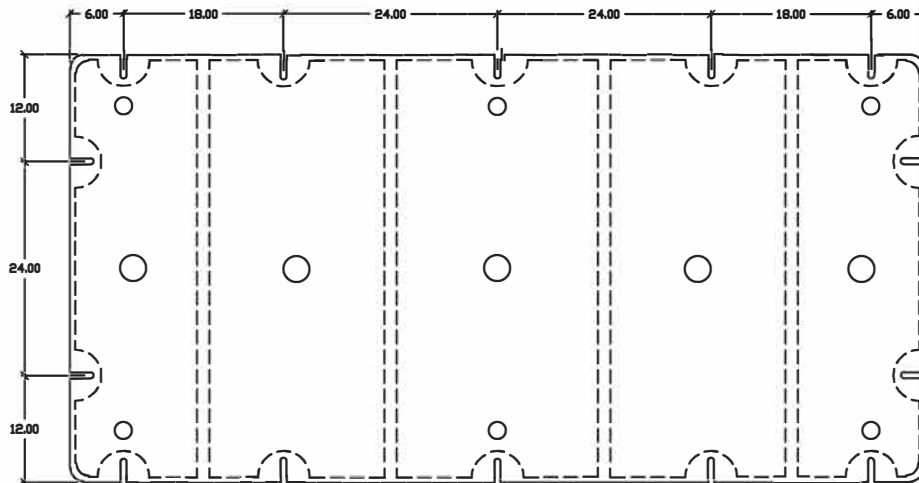
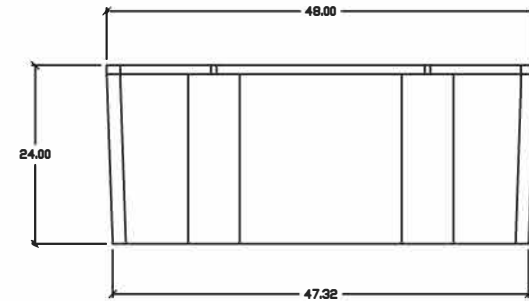
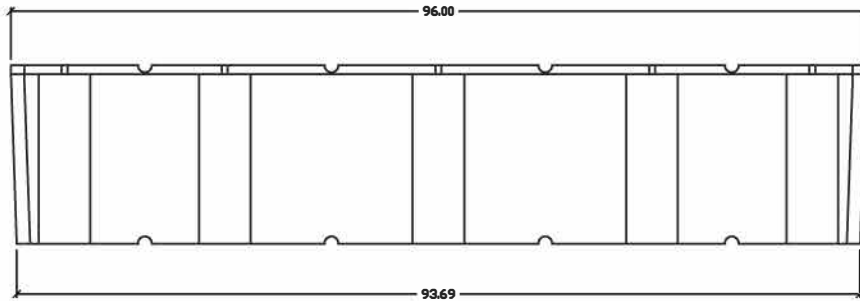


REVISED	DATE	BY
		JEB



MOUNTING SLOT DETAIL  
SCALE 2:1  
ALL DIMS NOMINAL

Common technical specs.	
Max buoyancy :	3450 LB'S
Nominal wall thickness :	0.15"
Cubic feet:	64.0 FT <sup>3</sup>
Weight:	160.0 LB.'s

As with all types of materials, allowances must be made for shrinkage and changing of exact dimensions due to temperature and other conditions.

DRAWN BY JEB	APPROVED BY	DATE: 06-24-2014
Materials: Polyethylene encasing Expanded Foam		Type:

DOCK BOXES UNLIMITED, INC 800.559.4269 WWW.DOCKBOXES.COM

Part Name: 4'x8'x24"	
AutoCad 2010	PART # : EF4824
	1 of 1