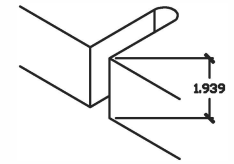
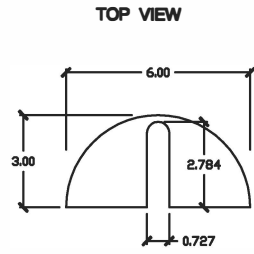
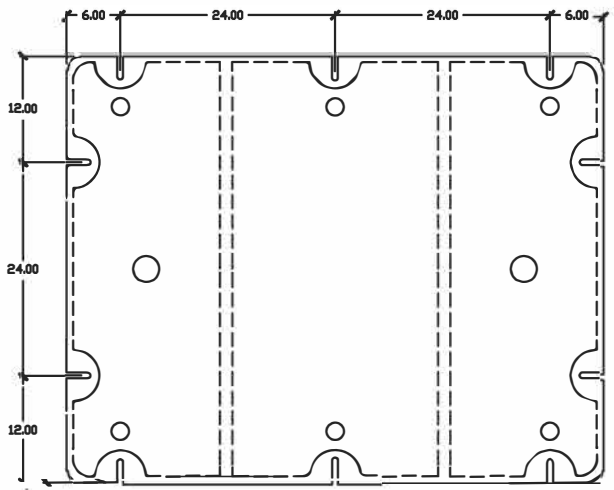
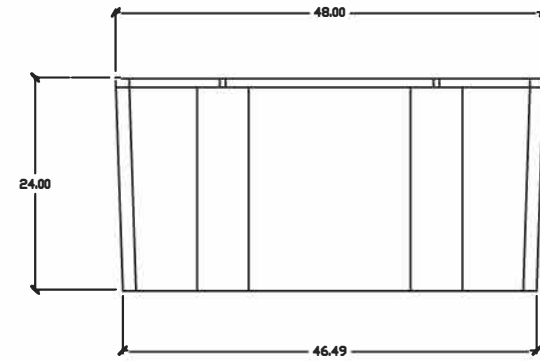
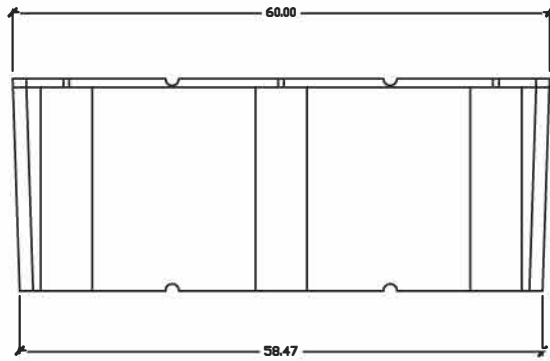


REVISED	DATE	BY
		JEB



MOUNTING SLOT DETAIL
SCALE 2:1
ALL DIMS NOMINAL

Common technical specs.	
Max buoyancy :	2100 LB'S
Nominal wall thickness :	0.15"
Cubic feet:	40.0 FT ³
Weight:	98.0 LB.'s

As with all types of materials, allowances must be made for shrinkage and changing of exact dimensions due to temperature and other conditions.

DRAWN BY JEB	APPROVED BY	DATE: 06-20-2014
Materials: Polyethylene encasing Expanded Foam		Type:
Part Name: 4'x5'x24"		