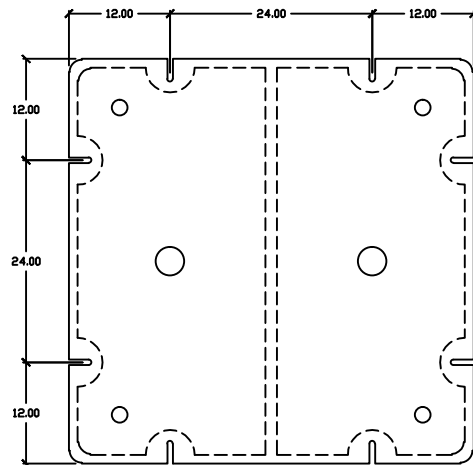
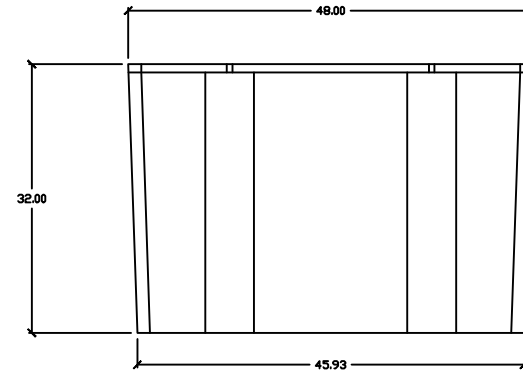
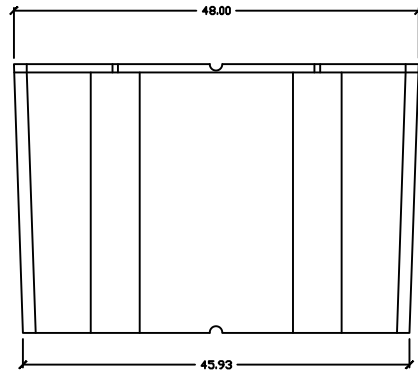
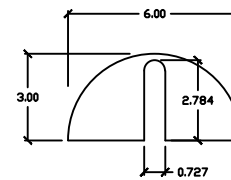


REVISED	DATE	BY
		JEB

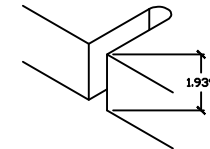


TOP VIEW



MOUNTING SLOT DETAIL  
SCALE 2:1

ALL DIMS NOMINAL



Common technical specs.

Max buoyancy :	2190 LB'S
Nominal wall thickness :	0.15"
Cubic feet:	42.7 FT³
Weight:	96.2 LB.'s

As with all types of materials, allowances must be made for shrinkage and changing of exact dimensions due to temperature and other conditions.

DRAWN BY JEB	APPROVED BY	DATE: 06-20-2014
-----------------	-------------	------------------

Materials: Polyethylene encasing Expanded Foam	Type:
---	-------

Part Name: 4'x4'x32"