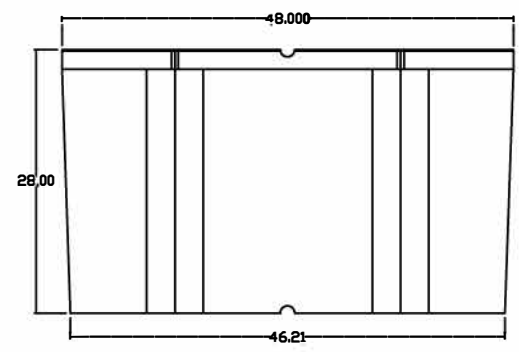
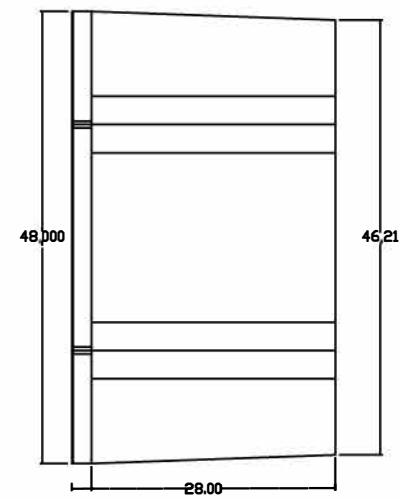
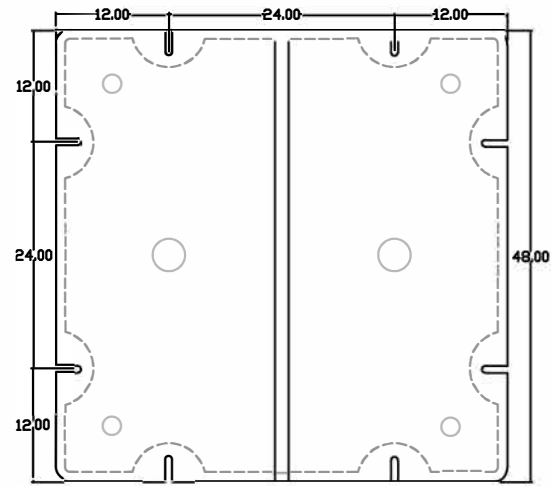


Rev	Date	By



NOTE: ALL DIMENSIONS SHOWN ARE NOMINAL. Actual float dimensions may vary slightly due to shrinkage/expansion variables in the manufacturing process. These measurements are not intended for use as a template for final bolt patterns. Wait until you have the actual floats on hand before calculating attachment points on your dock.

Nominal Wall Thickness 0.15

UNLESS OTHERWISE SPECIFIED INCHES	Max buoyancy:	1880
	Nominal wall thickness:	0.15"
UNSPECIFIED TOLERANCES	Cubic feet:	34.8 FT'
	Weight:	99 LB.'s
	DRAWN BY:	JMH
DECIMALS	mm	In
.x		±.1
.xx		±.06
.xxx		±.063
DATE:	12-29-15	
MATERIAL:	TYPE:	
PART NAME:	48X48X28	
DESIGNED FOR:	A	PART NO. 4428EF