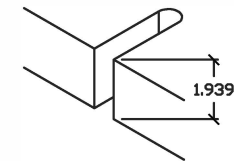
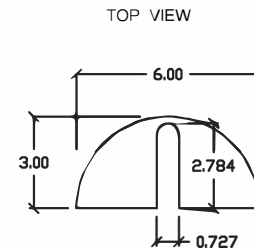
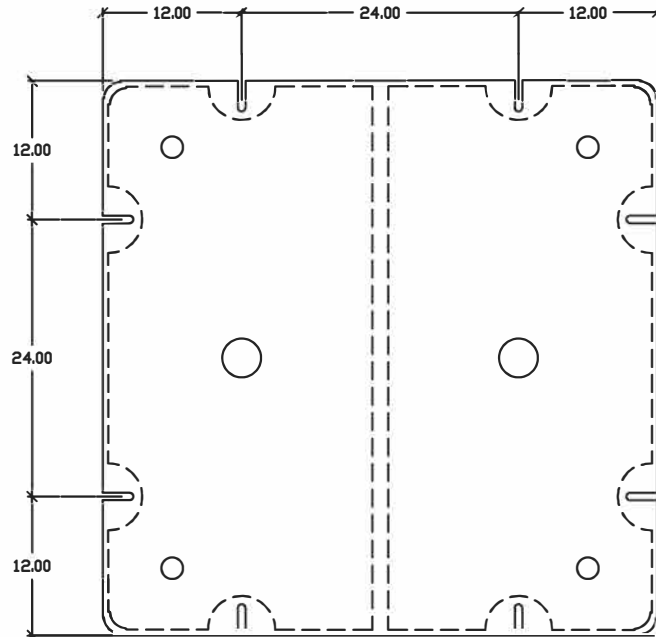
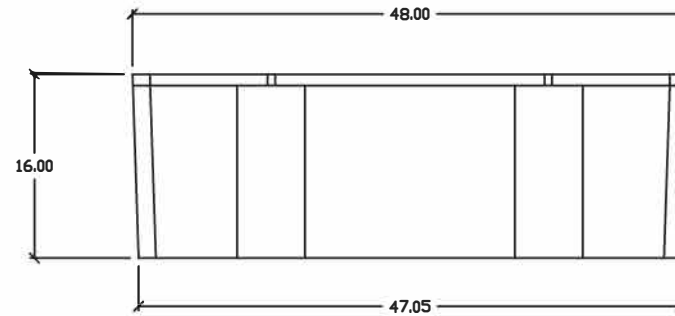
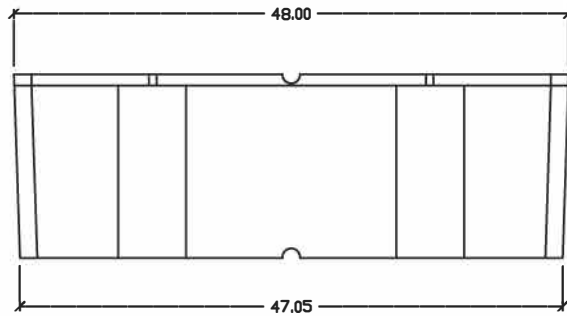


REVISED	DATE	BY



MOUNTING SLOT DETAIL  
SCALE 2:1  
ALL DIMS NOMINAL

Common technical specs.

Max buoyancy :	1140 LB'S
Nominal wall thickness :	0.15"
Cubic feet:	21.3 FT <sup>3</sup>
Weight:	62.0 LB.'s

As with all types of materials, allowances must be made for shrinkage and changing of exact dimensions due to temperature and other conditions.

DRAWN BY JEB	APPROVED BY	DATE: 06-19-2014
Materials: Polyethylene encasing Expanded Foam		Type:

Part Name: 4'x4'x16"

AutoCad 2010	PART # : EF44 16	1 of 1
-----------------	------------------	--------