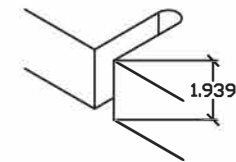
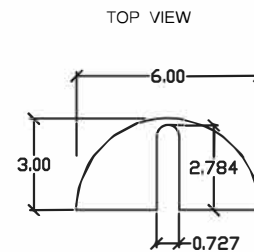
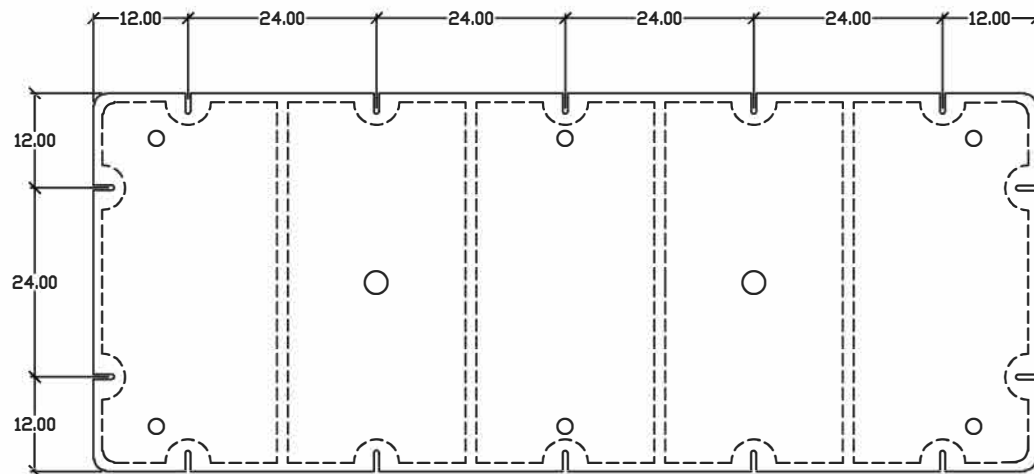
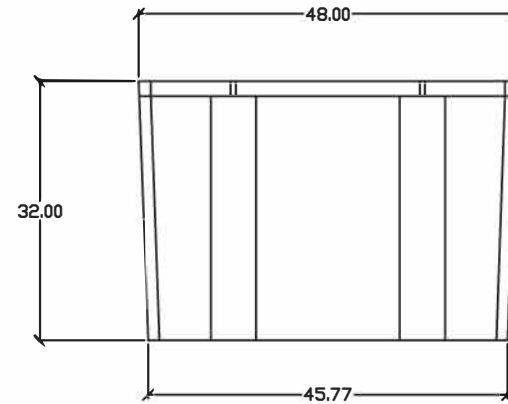
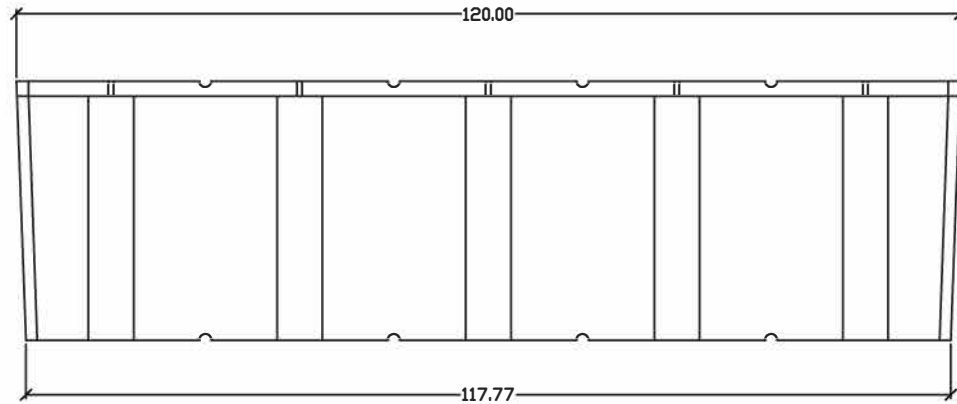


REVISED	DATE	BY
		JEB



MOUNTING SLOT DETAIL
SCALE 2:1

ALL DIMS NOMINAL

Common technical specs.

Max buoyancy :	5785 LB'S
Nominal wall thickness :	0.15"
Cubic feet:	106.7 FT ³
Weight:	240 LB.'s

As with all types of materials, allowances must be made for shrinkage and changing of exact dimensions due to temperature and other conditions.

DRAWN BY: JEB APPROVED BY: DATE: 07-24-2014

Materials: Polyethylene encasing Expanded Foam Type:

Part Name: 4'x10'x32"

AutoCad 2010 PART # : EF41032

1 of 1