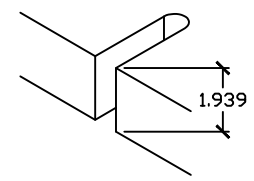
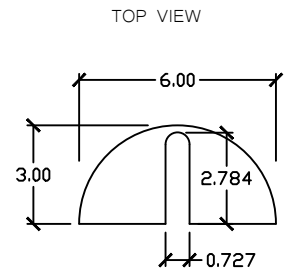
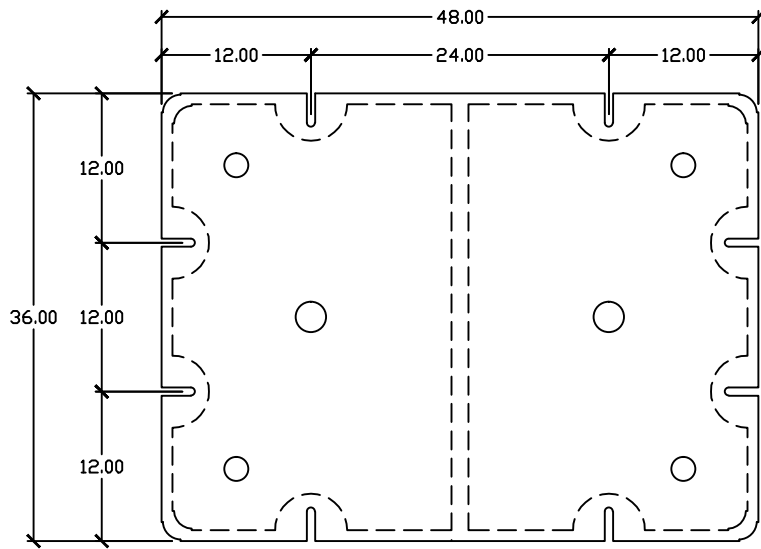
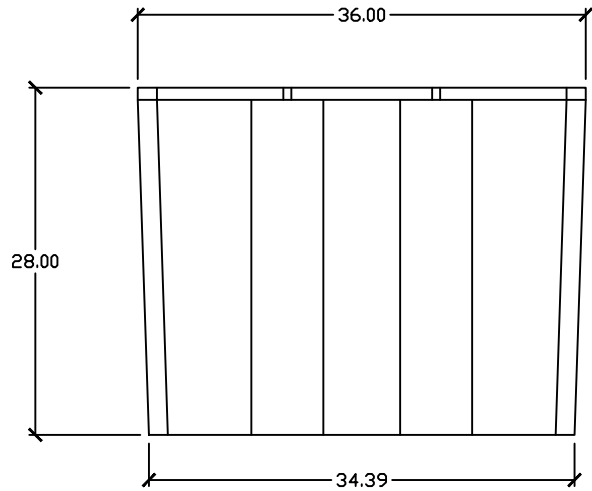
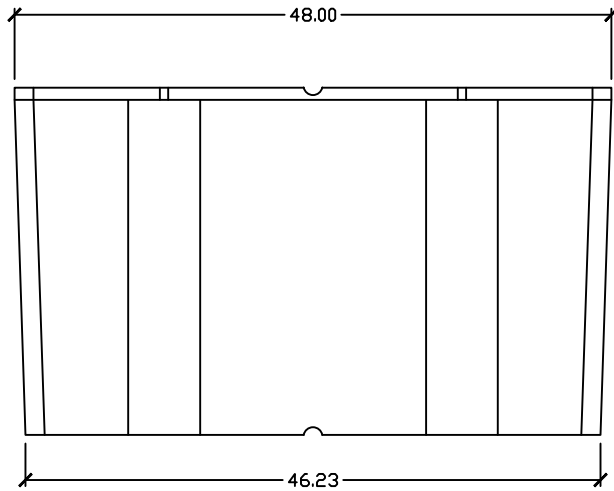


REVISED	DATE	BY



MOUNTING SLOT DETAIL
SCALE 2:1
ALL DIMS NOMINAL

Common technical specs.	
Max buoyancy :	1450 LB'S
Nominal wall thickness :	0.15"
Cubic feet:	28 FT³
Weight:	70 LB.'s

As with all types of materials, allowances must be made for shrinkage and changing of exact dimensions due to temperature and other conditions.

DRAWN BY JEB	APPROVED BY	DATE: 01-13-2015
Materials: Polyethylene encasing Expanded Foam		Type:
Part Name: 3'x4'x28"		
AutoCad 2010	PART # : EF3428	1 of 1