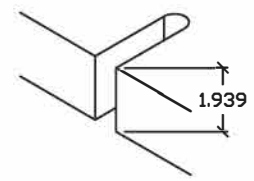
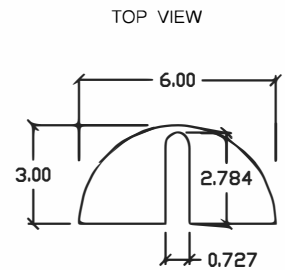
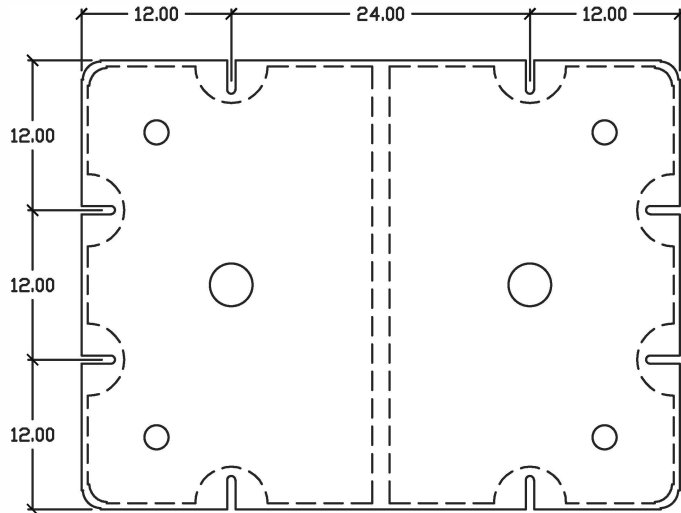
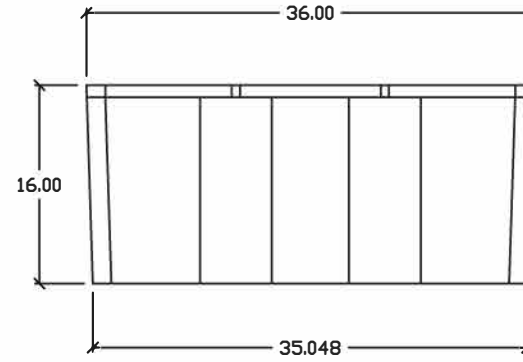
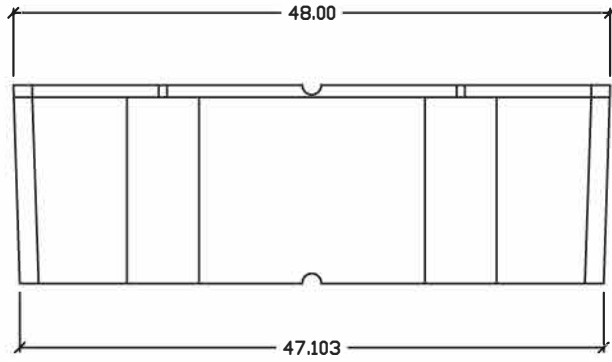


REVISED	DATE	BY



Common technical specs.	
Max buoyancy :	820 LB'S
Nominal wall thickness :	0.15"
Cubic feet:	16.0 FT³
Weight:	49.0 LB.'s

As with all types of materials, allowances must be made for shrinkage and changing of exact dimensions due to temperature and other conditions.

DRAWN BY JEB	APPROVED BY	DATE: 06-11-2014
Materials: Polyethylene encasing Expanded Foam		Type:
Part Name: 3'x4'x16"		
AutoCad 2010	PART # : EF3416	1 of 1