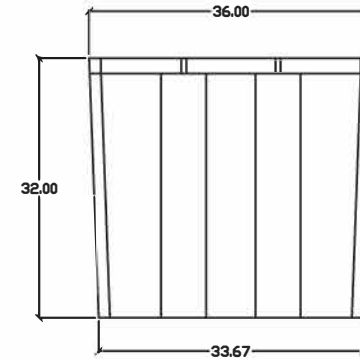
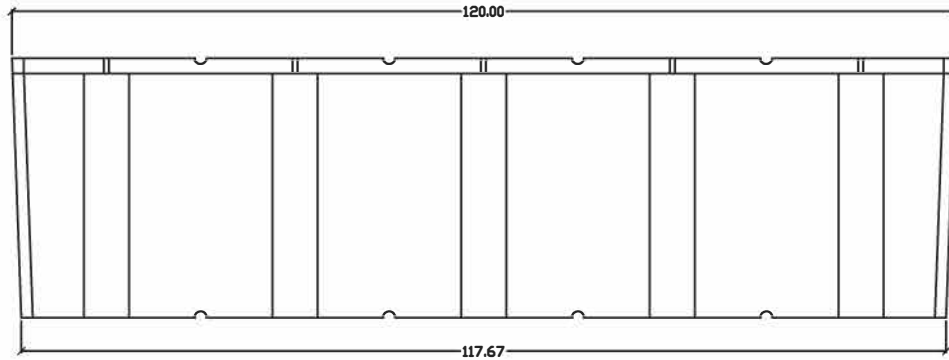
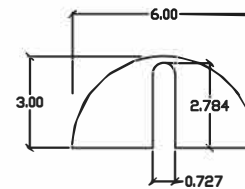
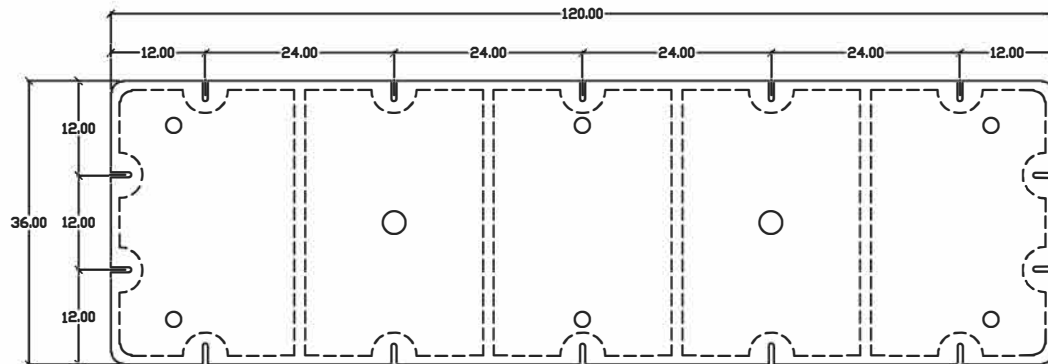


REVISED	DATE	BY

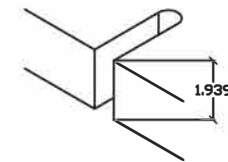


TOP VIEW



MOUNTING SLOT DETAIL
SCALE 2:1

ALL DIMS NOMINAL



Common technical specs.

Max buoyancy :	4398 LB'S
Nominal wall thickness :	0.15"
Cubic feet:	80 FT ³
Weight:	190 LB.'s

As with all types of materials, allowances must be made for shrinkage and changing of exact dimensions due to temperature and other conditions.

DRAWN BY JEB	APPROVED BY	DATE: 09-26-2014
-----------------	-------------	------------------

Materials: Polyethylene encasing Expanded Foam	Type:
---	-------

Part Name: 3'x10'x32"

AutoCad 2010	PART # : EF31032	1 of 1
-----------------	------------------	--------