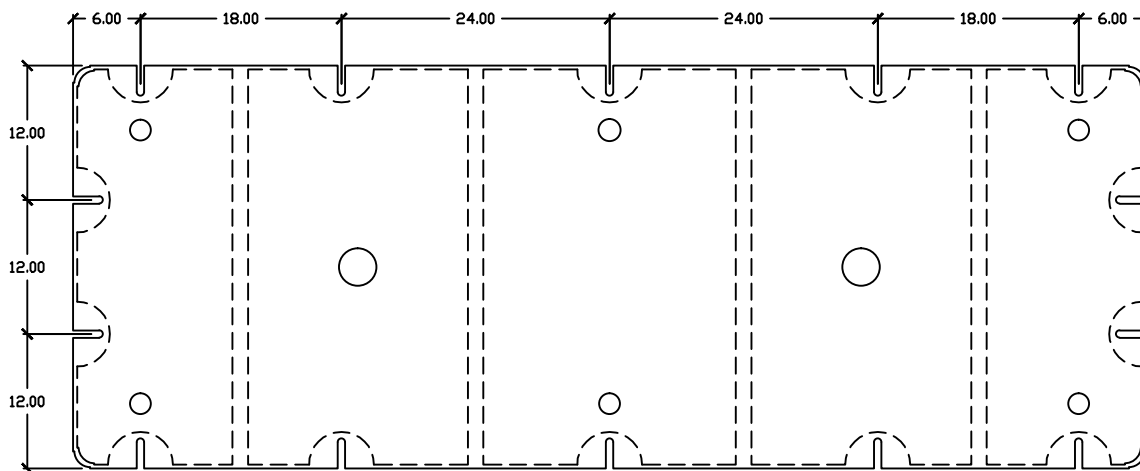
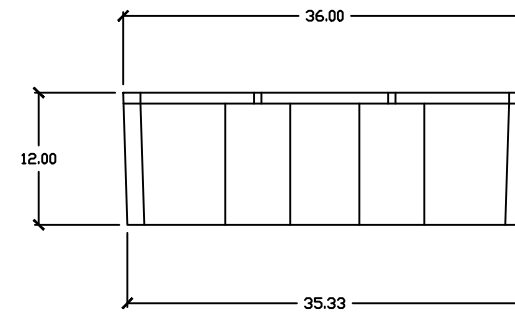
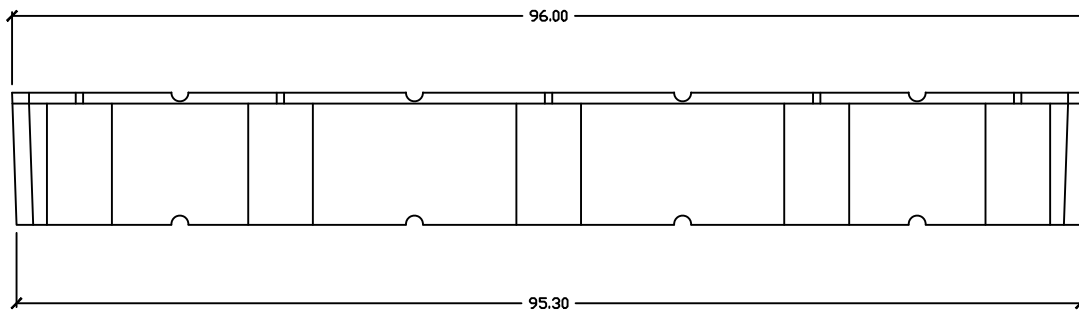
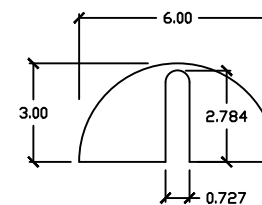


REVISED	DATE	BY

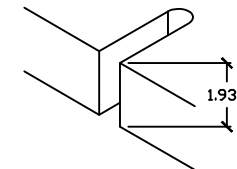


TOP VIEW



MOUNTING SLOT DETAIL
SCALE 2:1

ALL DIMS NOMINAL



Common technical specs.

Max buoyancy :	1250 LB'S
Nominal wall thickness :	0.15"
Cubic feet:	24.0 FT³
Weight:	81.0 LB.'s

As with all types of materials, allowances must be made for shrinkage and changing of exact dimensions due to temperature and other conditions.

DRAWN BY JEB	APPROVED BY	DATE: 06-17-2014
-----------------	-------------	------------------

Materials: Polyethylene encasing Expanded Foam	Type:
---	-------

Part Name: 3'x8'x12"

AutoCad 2010	PART # : EF3812	1 of 1
-----------------	-----------------	--------