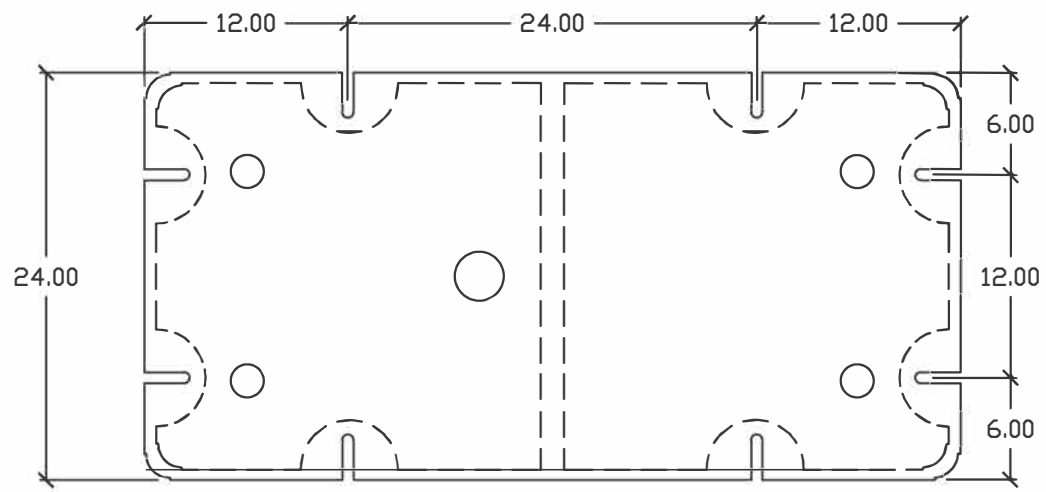
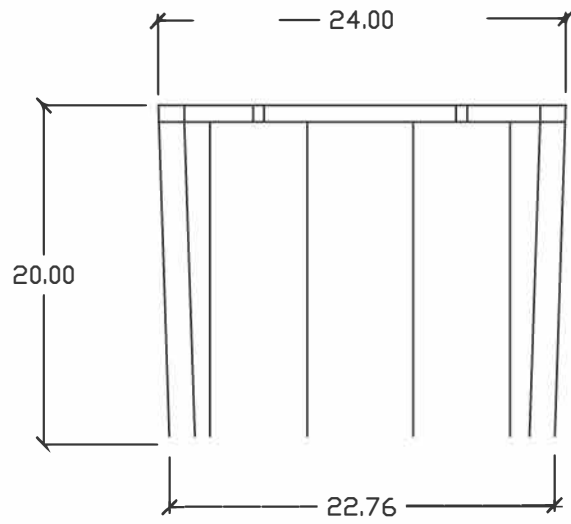
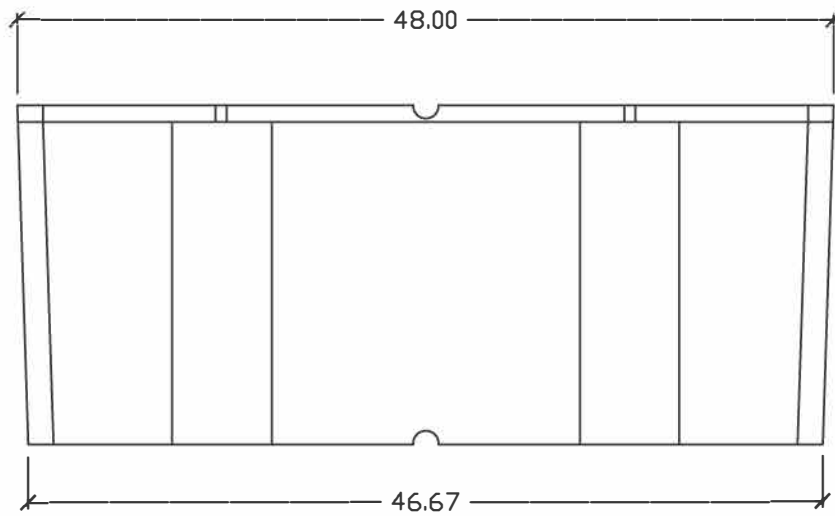
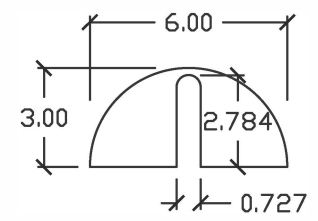


REVISED	DATE	BY

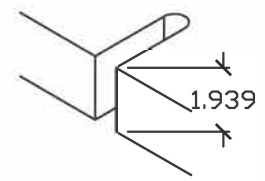


TOP VIEW



MOUNTING SLOT DETAIL
SCALE 2:1

ALL DIMS NOMINAL



DOCK BOXES UNLIMITED 800 559 4269 WWW.DOCKBOXES.COM

Common technical specs.	
Max buoyancy :	680 LB'S
Nominal wall thickness :	0.15"
Cubic feet:	13.3 FT³
Weight:	36.0 LB.'s

As with all types of materials, allowances must be made for shrinkage and changing of exact dimensions due to temperature and other conditions.

DRAWN BY JEB	APPROVED BY	DATE:
Materials: Polyethylene encasing Expanded Foam		Type:

NOT TO SCLE.