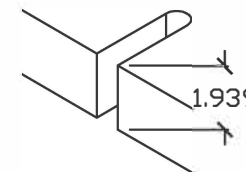
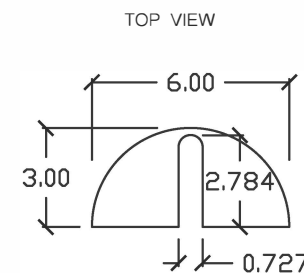
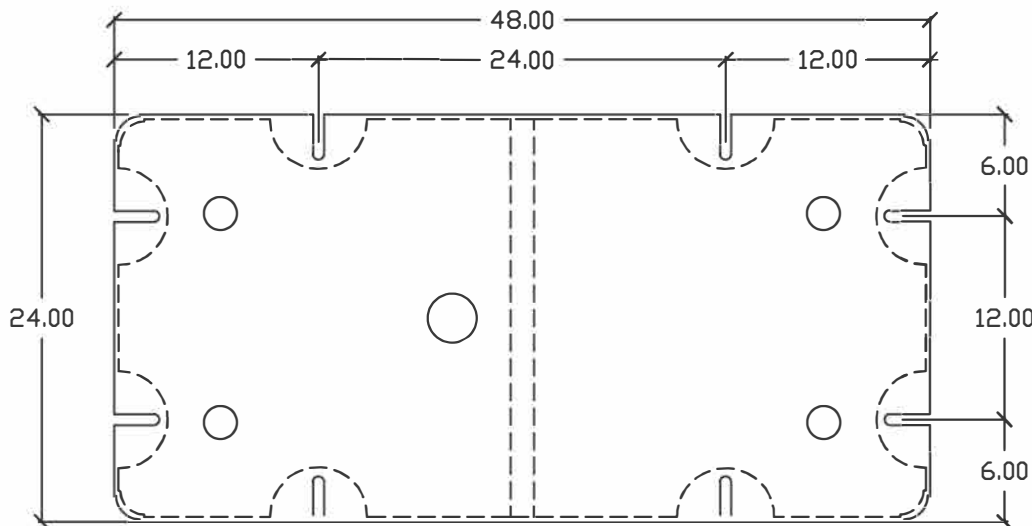
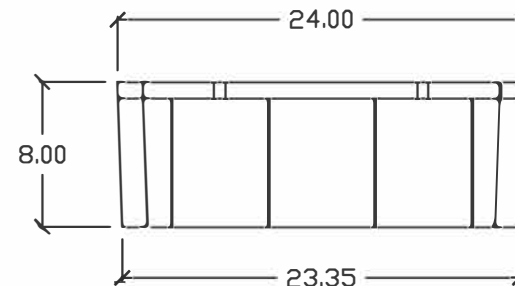
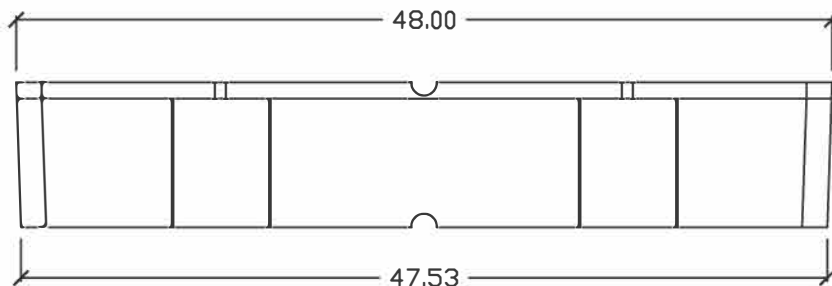


REVISED	DATE	BY



MOUNTING SLOT DETAIL  
SCALE 2:1

ALL DIMS NOMINAL

Common technical specs.

Max buoyancy :	290 LB'S
Nominal wall thickness :	0.15"
Cubic feet:	5.30 FT³
Weight:	26 LB.'s

As with all types of materials, allowances must be made for shrinkage and changing of exact dimensions due to temperature and other conditions.

DOCK BOXES UNLIMITED, INC | 800-559-4269 | WWW.DOCKBOXES.COM

DRAWN BY: \_\_\_\_\_ APPROVED BY: \_\_\_\_\_

Materials: Polyethylene encasing Expanded Foam Type: \_\_\_\_\_

AutoCad 2010 PART # : EF2408 1 of 1