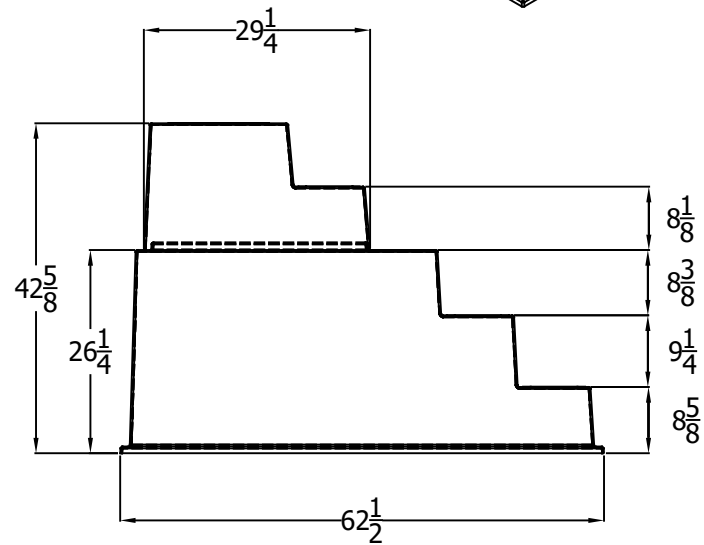
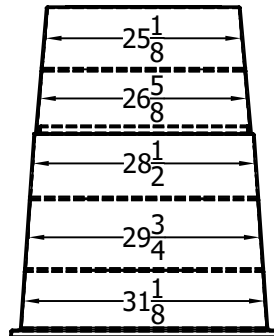
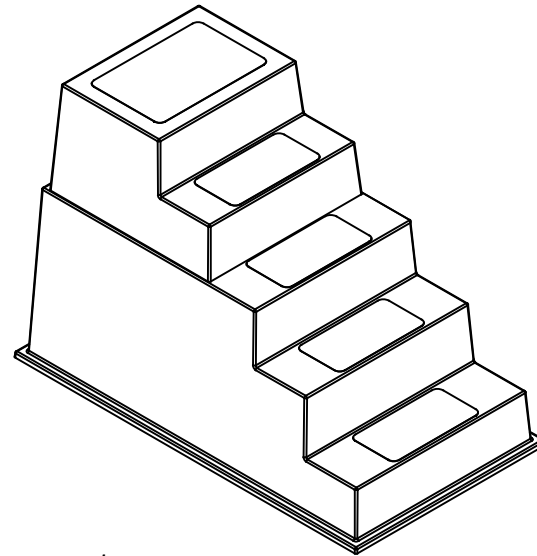
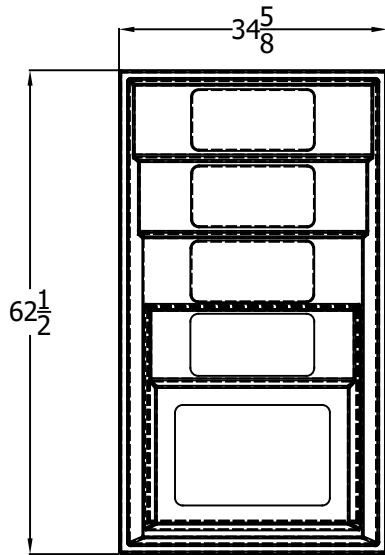


500S Dock Box



UNLESS OTHERWISE SPECIFIED:
 DIMENSIONS ARE IN INCHES
 TOLERANCES:
 FRACTIONAL ± 1/16"
 ANGULAR: MACH ± 1° BEND ± 1°
 TWO PLACE DECIMAL ± .06
 THREE PLACE DECIMAL ± .03

PROPRIETARY AND CONFIDENTIAL
 THE INFORMATION CONTAINED IN THIS
 DRAWING IS THE SOLE PROPERTY OF DOCK
 BOXES UNLIMITED, INC. ANY REPRODUCTION
 IN PART OR AS A WHOLE WITHOUT THE
 WRITTEN PERMISSION OF DOCK BOXES
 UNLIMITED, INC. IS PROHIBITED.

DESCRIPTION: 500S Stairs	
PART NO. 500S Dockbox	REV -
DRAWN BY JJW	09/23/19
SCALE 1:1	SHEET 1 OF 1