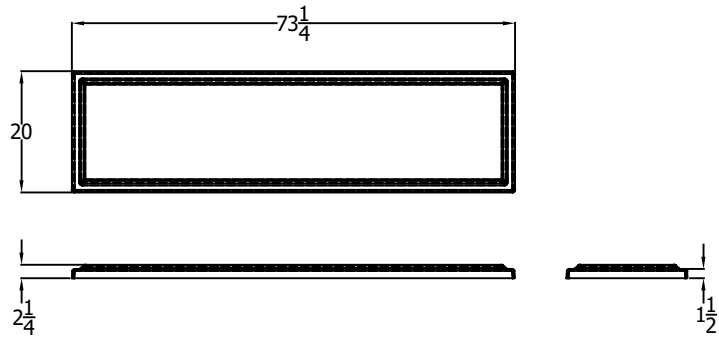
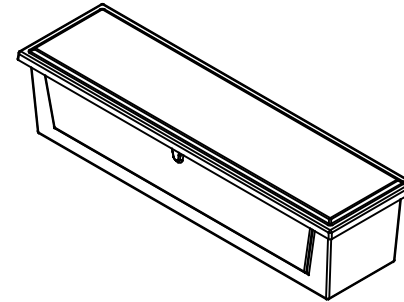


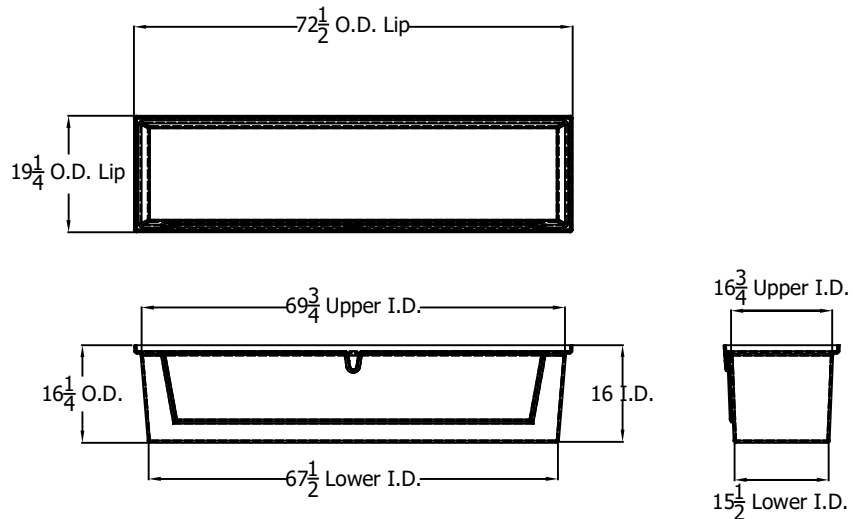
Lid Upper



618 Dock Box



Box Bottom



Lid with Box



UNLESS OTHERWISE SPECIFIED:

DIMENSIONS ARE IN INCHES
TOLERANCES:
FRACTIONAL ± 1/16"
ANGULAR: MACH ± 1° BEND ± 1°
TWO PLACE DECIMAL ± .06
THREE PLACE DECIMAL ± .03

PROPRIETARY AND CONFIDENTIAL
THE INFORMATION CONTAINED IN THIS
DRAWING IS THE SOLE PROPERTY OF DOCK
BOXES UNLIMITED, INC. ANY REPRODUCTION
IN PART OR AS A WHOLE WITHOUT THE
WRITTEN PERMISSION OF DOCK BOXES
UNLIMITED, INC. IS PROHIBITED.

DESCRIPTION:

618 Dockbox

PART NO.

618 Dockbox

DRAWN BY

JJW

SCALE 1:1

REV

-

09/30/19

SHEET 1 OF 1