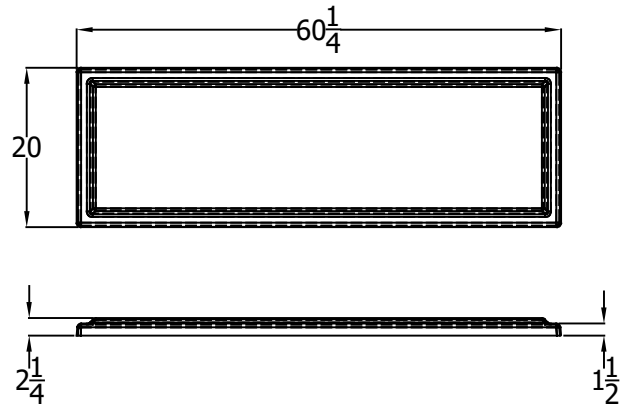
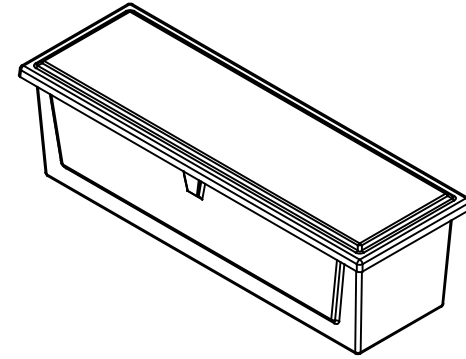


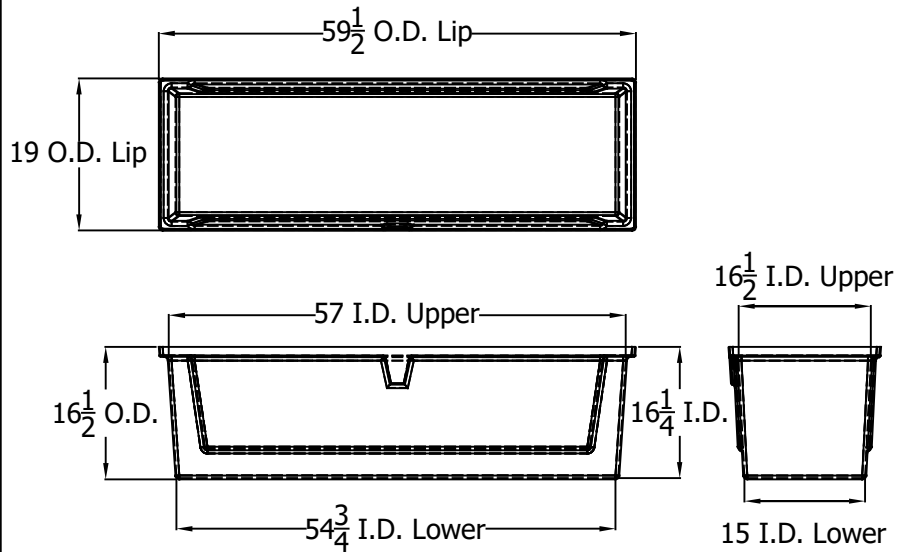
Lid Upper



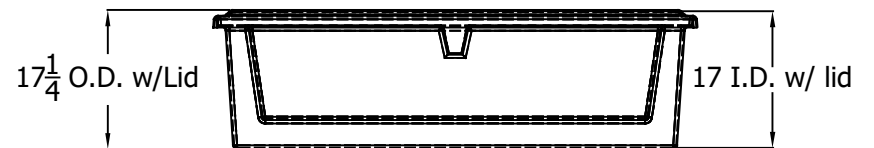
518 Dock Box




Box Bottom



Lid with Box



 <p>DOCK BOXES UNLIMITED, INC. www.dockboxes.com 800.559.4269</p>	UNLESS OTHERWISE SPECIFIED:		DESCRIPTION:	
	DIMENSIONS ARE IN INCHES TOLERANCES: FRACTIONAL $\pm \frac{1}{64}$ " ANGULAR: MACH $\pm 1^\circ$ BEND $\pm 1^\circ$ TWO PLACE DECIMAL $\pm .06$ THREE PLACE DECIMAL $\pm .03$		518 Dockbox	
	PROPRIETARY AND CONFIDENTIAL THE INFORMATION CONTAINED IN THIS DRAWING IS THE SOLE PROPERTY OF DOCK BOXES UNLIMITED, INC. ANY REPRODUCTION IN PART OR AS A WHOLE WITHOUT THE WRITTEN PERMISSION OF DOCK BOXES UNLIMITED, INC. IS PROHIBITED.		PART NO.	REV
			518 Dockbox	—
		DRAWN BY	JJW	09/20/19
		SCALE 1:1	SHEET 1 OF 1	