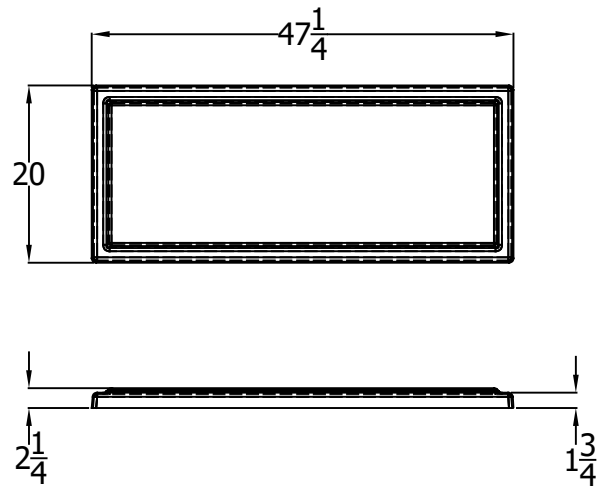
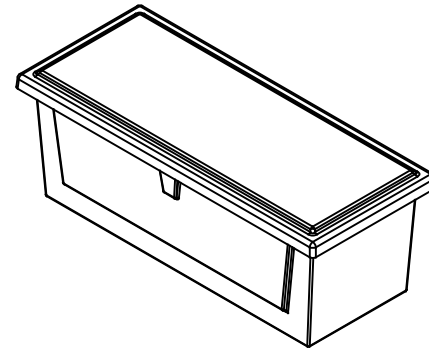


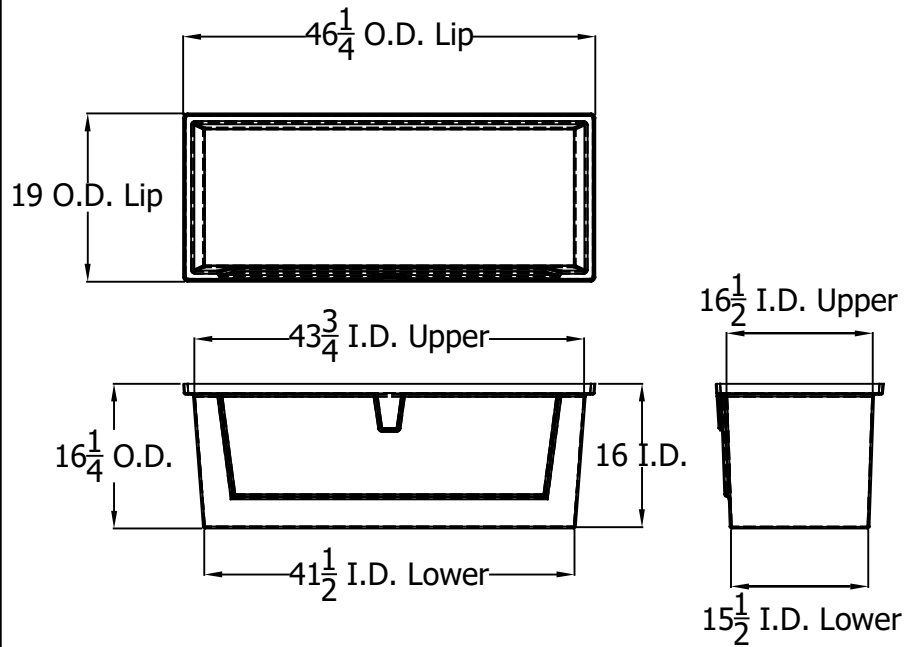
Lid Upper



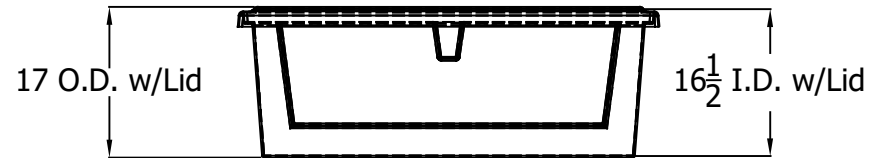
418 Dock Box



Box Bottom



Lid with Box



UNLESS OTHERWISE SPECIFIED:

DIMENSIONS ARE IN INCHES
TOLERANCES:
FRACTIONAL $\pm \frac{1}{16}$ "
ANGULAR: MACH $\pm 1^\circ$ BEND $\pm 1^\circ$
TWO PLACE DECIMAL $\pm .06$
THREE PLACE DECIMAL $\pm .03$

DFCDF-9H5FM5B8 7CB-89BH5®

H-9-B; CFA5HCB 7CBH5-B98-B H-G
BF5K-B; -G H-9 GC-89 DF CD9F HMC; 8C77
6CL9G1 B9A-#982-B7; 5BMF 90FCB1 7HCB
-B DSFHCF 5G5K <-C9K -H-CI H1H-9
K F-#H98 D9FA -GG-CB C; 8C77 6CL9G
I B@A-#982-B7 -G DF C <-6-#98*

DESCRIPTION:

418 Dockbox

PART NO.

418 Dockbox

REV

-

DRAWN BY

JJW

09/20/19

SCALE 1:1

SHEET 1 OF 1