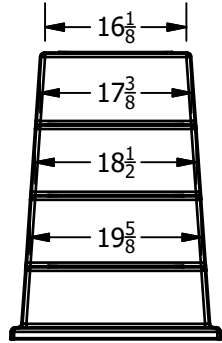
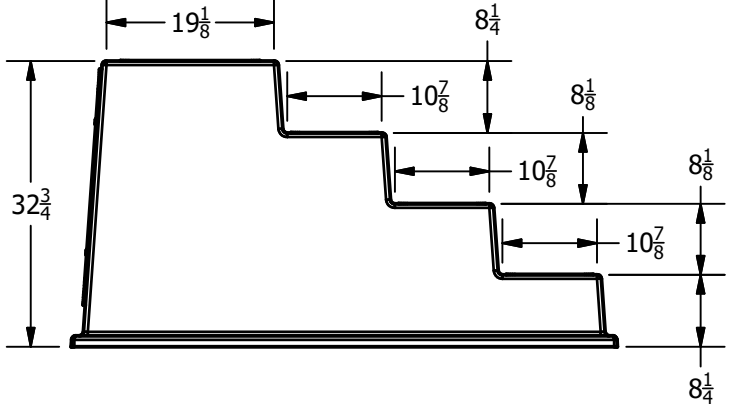
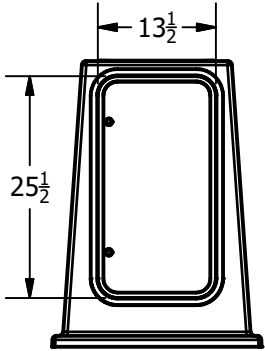
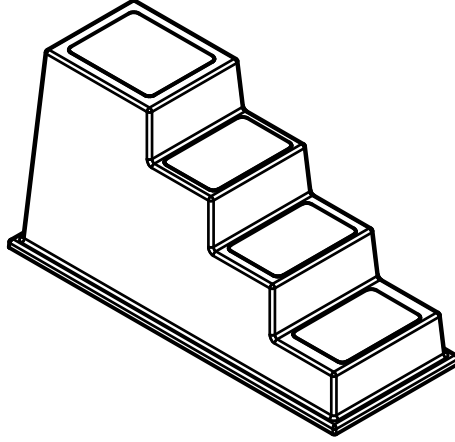
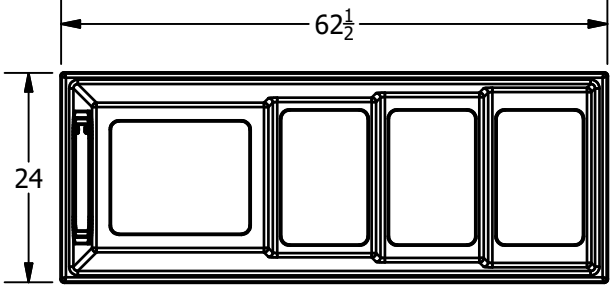
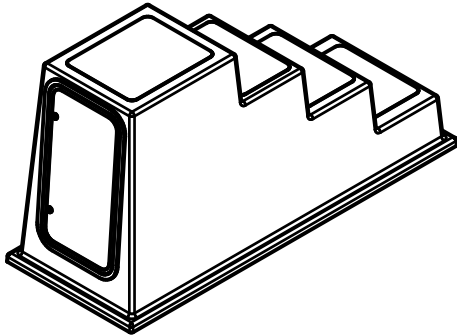


400SD 4-STEP



UNLESS OTHERWISE SPECIFIED:
 DIMENSIONS ARE IN INCHES
 TOLERANCES:
 FRACTIONAL ±1/16"
 ANGULAR: MACH. ±1° BEND ±1°
 TWO PLACE DECIMAL: ±.06
 THREE PLACE DECIMAL: ±.03
 PROPRIETARY AND CONFIDENTIAL:
 THE INFORMATION CONTAINED IN THIS DRAWING IS THE SOLE PROPERTY OF DOCK BOXES UNLIMITED, INC. ANY REPRODUCTION IN PART OR AS A WHOLE WITHOUT WRITTEN PERMISSION OF PATRICK INDUSTRIES IS PROHIBITED.

DESCRIPTION 4-STEP W/ LOCKING DOOR		
PART NO. 400SD 4-STEP		REV A
DRAWN BY NOT TO SCALE	DC	10/19/2022
NOT TO SCALE		1 OF 1