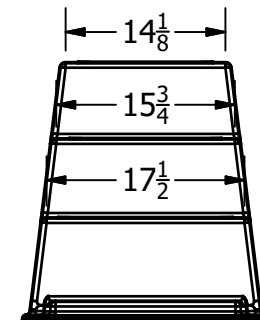
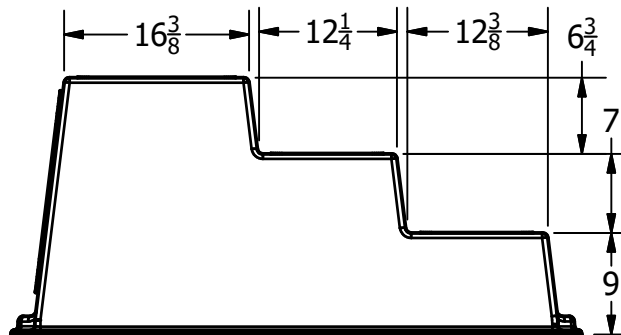
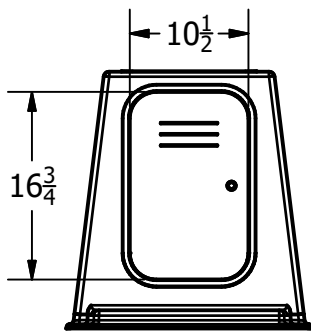
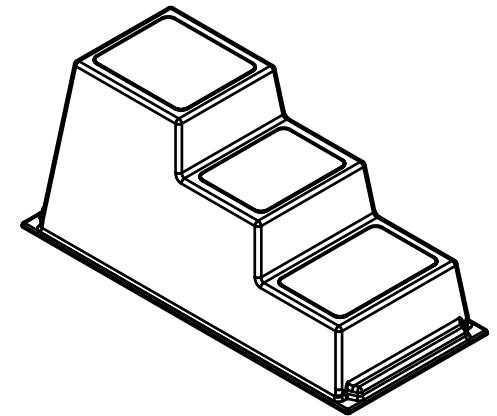
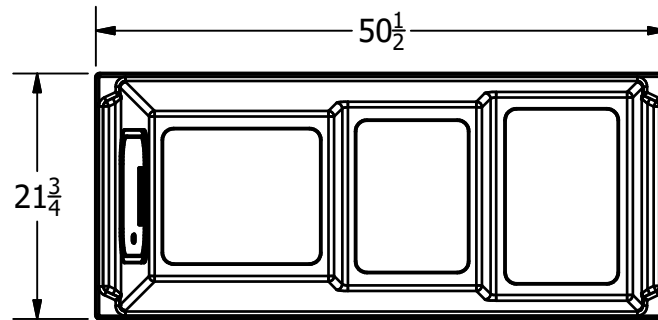
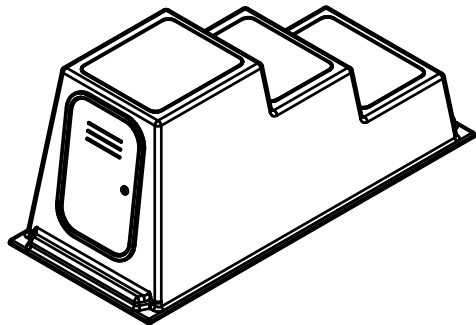


300SD 3-STEP



UNLESS OTHERWISE SPECIFIED:		DESCRIPTION	
DIMENSIONS ARE IN INCHES		3-STEP W/ LOCKING DOOR	
TOLERANCES:		PART NO.	
FRACTIONAL ±1/16"		300SD 3-STEP	
ANGULAR: MACH. ±1° BEND ±1°		REV	
TWO PLACE DECIMAL: ±.06		A	
THREE PLACE DECIMAL: ±.03		DRAWN BY	
PROPRIETARY AND CONFIDENTIAL:		DC	
THE INFORMATION CONTAINED IN THIS DRAWING IS THE SOLE PROPERTY OF DOCK BOXES UNLIMITED, INC ANY REPRODUCTION IN PART OR AS A WHOLE WITHOUT WRITTEN PERMISSION OF PATRICK INDUSTRIES IS PROHIBITED.		10/19/2022	
NOT TO SCALE		1 OF 1	