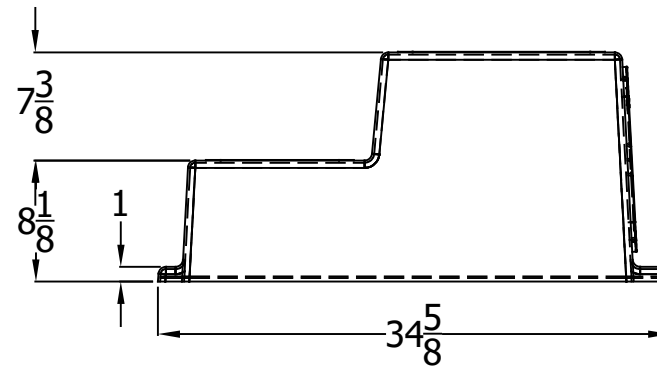
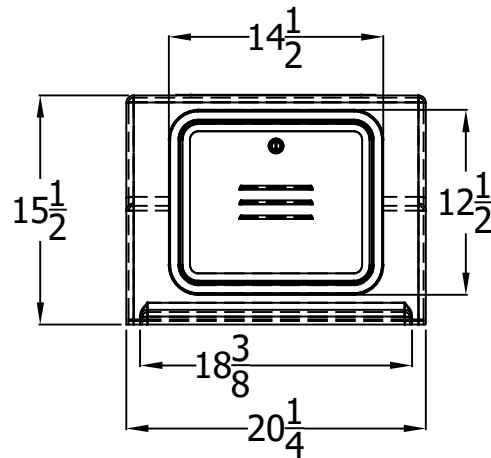
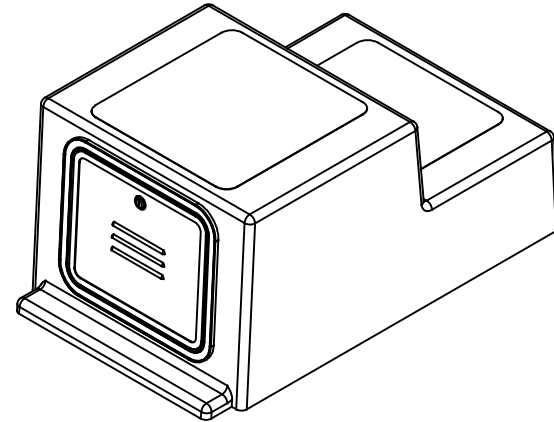
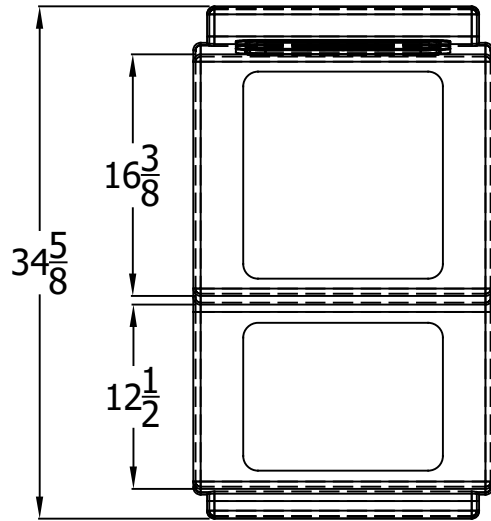


200SD Dock Box



UNLESS OTHERWISE SPECIFIED: DIMENSIONS ARE IN INCHES TOLERANCES: FRACTIONAL ± 1/16" ANGULAR: MACH ± 1° BEND ± 1° TWO PLACE DECIMAL ± .06 THREE PLACE DECIMAL ± .03		DESCRIPTION: 200SD Stairs	
PROPRIETARY AND CONFIDENTIAL THE INFORMATION CONTAINED IN THIS DRAWING IS THE SOLE PROPERTY OF DOCK BOXES UNLIMITED, INC. ANY REPRODUCTION IN PART OR AS A WHOLE WITHOUT THE WRITTEN PERMISSION OF DOCK BOXES UNLIMITED, INC. IS PROHIBITED.		PART NO. 200SD Dockbox	REV —
DRAWN BY		JJW	10/01/19
SCALE 1:1		SHEET 1 OF 1	