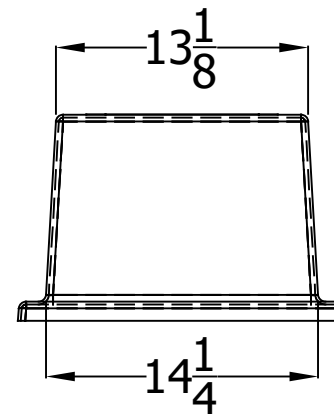
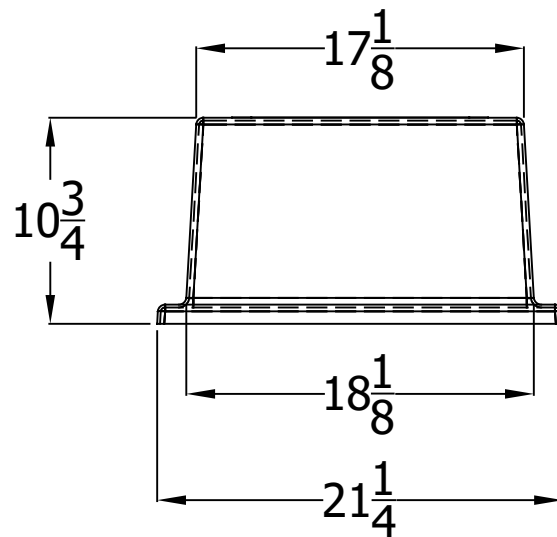
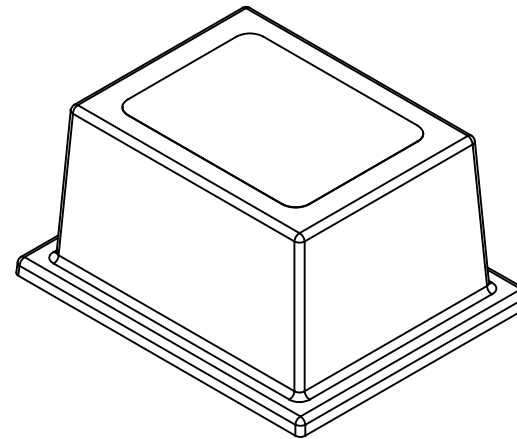
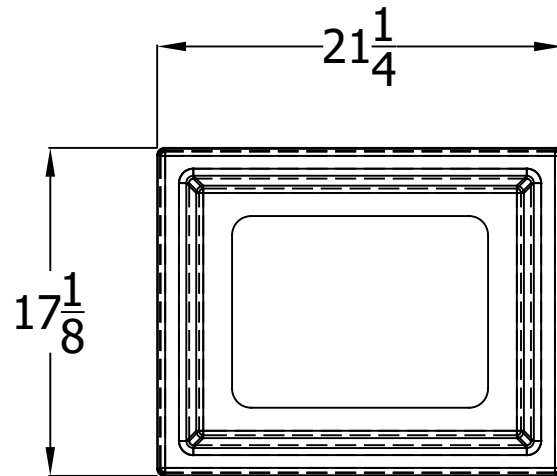


# 100SD Dock Box



UNLESS OTHERWISE SPECIFIED:		DESCRIPTION:	
DIMENSIONS ARE IN INCHES TOLERANCES: FRACTIONAL $\pm \frac{1}{64}$ " ANGULAR: MACH $\pm 1^\circ$ BEND $\pm 1^\circ$ TWO PLACE DECIMAL $\pm .06$ THREE PLACE DECIMAL $\pm .03$		100SD Stairs	
PROPRIETARY AND CONFIDENTIAL THE INFORMATION CONTAINED IN THIS DRAWING IS THE SOLE PROPERTY OF DOCK BOXES UNLIMITED, INC. ANY REPRODUCTION IN PART OR AS A WHOLE WITHOUT THE WRITTEN PERMISSION OF DOCK BOXES UNLIMITED, INC. IS PROHIBITED.		PART NO.	REV
		100SD Dockbox	-
		DRAWN BY	JJW
		SCALE 1:1	10/01/19
		SHEET 1 OF 1	