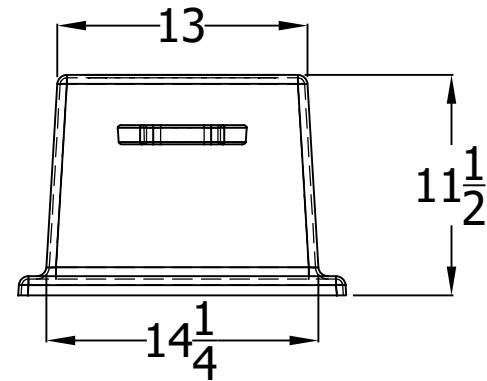
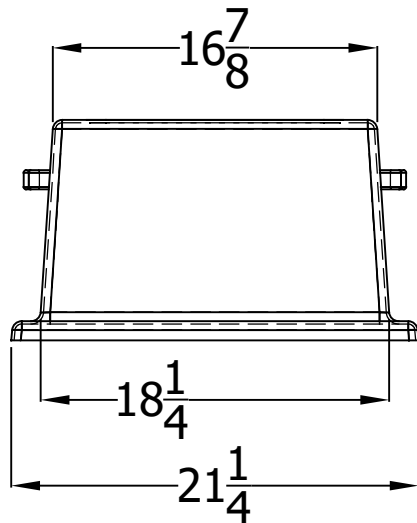
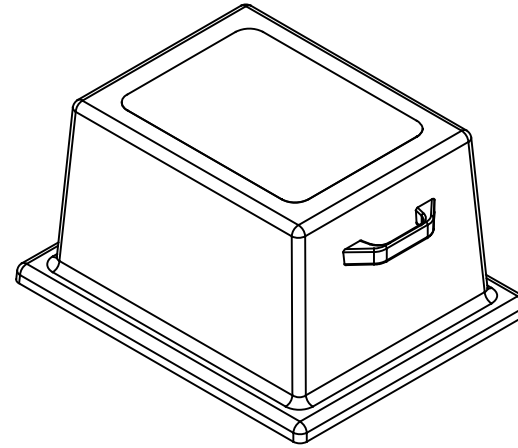
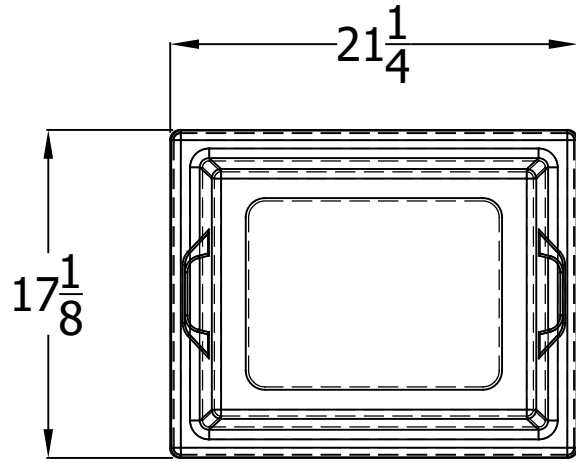


100S Dock Box



UNLESS OTHERWISE SPECIFIED:		DESCRIPTION:	
DIMENSIONS ARE IN INCHES TOLERANCES: FRACTIONAL $\pm \frac{1}{64}$ " ANGULAR: MACH $\pm 1^\circ$ BEND $\pm 1^\circ$ TWO PLACE DECIMAL $\pm .06$ THREE PLACE DECIMAL $\pm .03$		100S Stairs	
PROPRIETARY AND CONFIDENTIAL THE INFORMATION CONTAINED IN THIS DRAWING IS THE SOLE PROPERTY OF DOCK BOXES UNLIMITED, INC. ANY REPRODUCTION IN PART OR AS A WHOLE WITHOUT THE WRITTEN PERMISSION OF DOCK BOXES UNLIMITED, INC. IS PROHIBITED.		PART NO.	REV
		100S Dockbox	-
DRAWN BY	JJW	10/01/19	
SCALE 1:1	SHEET 1 OF 1		